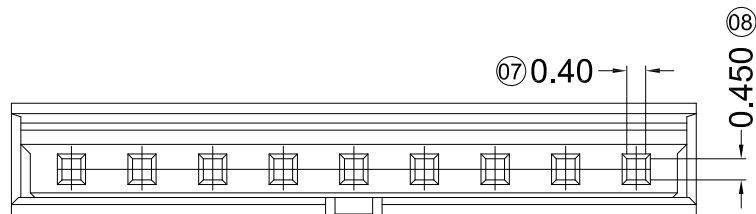
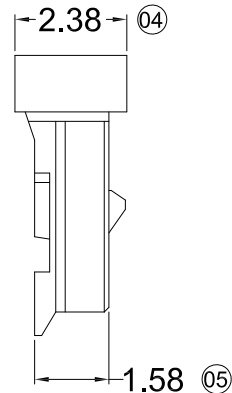
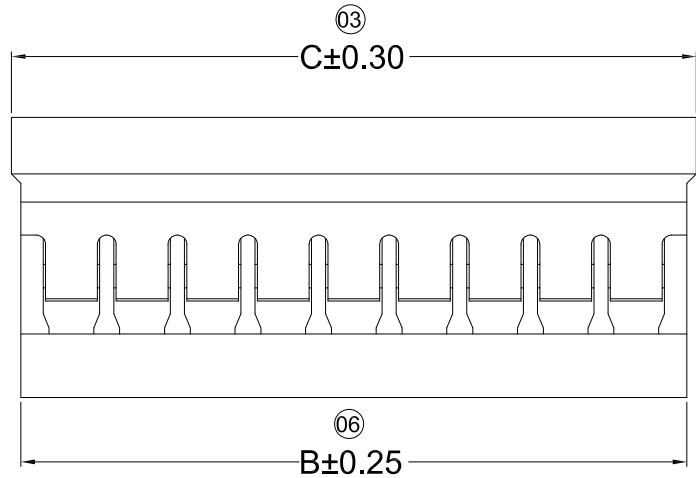
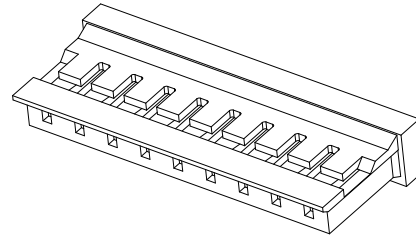
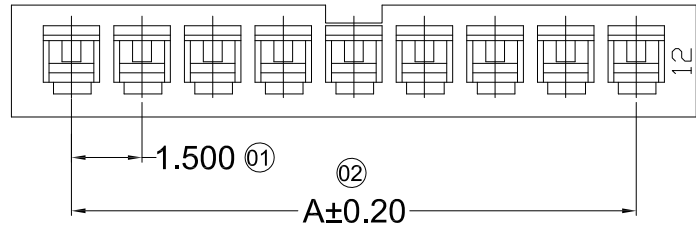


RoHS



■ Specifications :

- Voltage rating: 250V AC / DC
- Current rating: 4A AC / DC
- Withstanding voltage: 100V AC/minute
- Temperature range: -40° ~+105°
- Insulation resistance: ≥100MΩ
- Contact resistance: ≤20mΩ
- After environmental testing: ≤40mΩ
- Suitable GYA Terminal 1520T
- Mates With GYA Wafer 1520W

1520 H X - XX X - N0 HF

① ② ③ ④ ⑤ ⑥ ⑦

- ① Series No.
- ② Category: H-HSG
- ③ Welding Board Angle: Blank-ordinary
- ④ Row No.-Pin No.: XX-02P~15P
- ⑤ Plug the Pin & special No. :
- ⑥ Material: N0-PA66 94V-0
- ⑦ HF-Halogen Free

Poles	Dimensions (mm)			Poles	Dimensions (mm)		
	A	B	C		A	B	C
02	1.50	3.70	4.10	09	12.00	14.20	14.60
03	3.00	5.20	5.60	10	13.50	15.70	16.10
04	4.50	6.70	7.10	11	15.00	17.20	17.60
05	6.00	8.20	8.60	12	16.50	18.70	19.10
06	7.50	9.70	10.10	13	18.00	20.20	20.60
07	9.00	11.20	11.60	14	19.50	21.70	22.10
08	10.50	12.70	13.10	15	21.00	23.20	23.60

DATE	REV	ECN NO.	DESCRIPTION	MODIFY	APPROVAL
1					
2					
3					
4					

GENERAL TOLERANCE	
.X	±0.30
.XX	±0.20
.XXX	±0.10
X.°	±2°

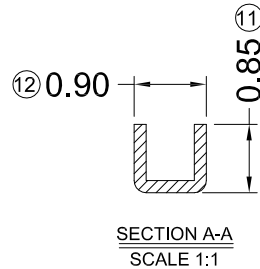
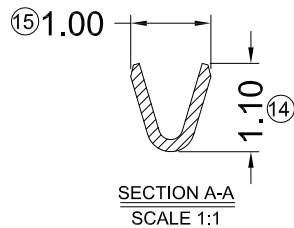
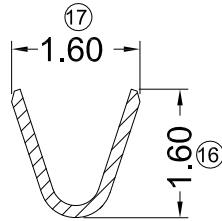
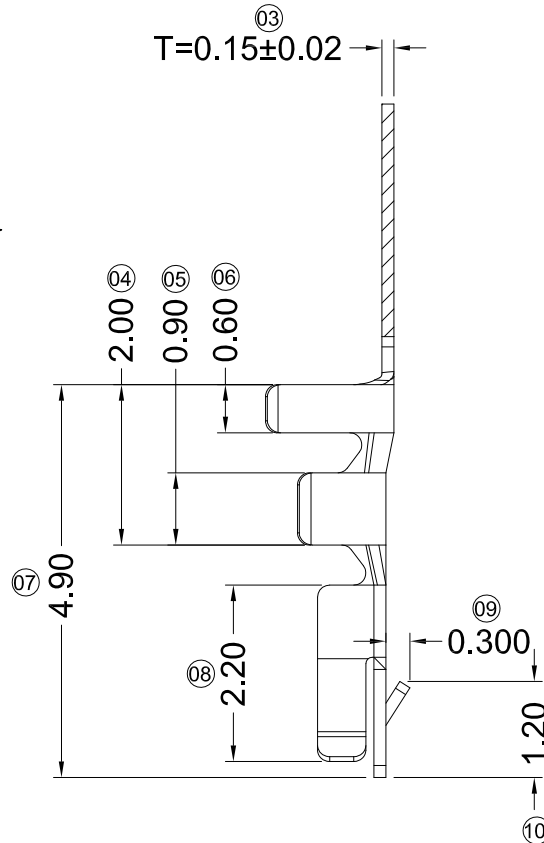
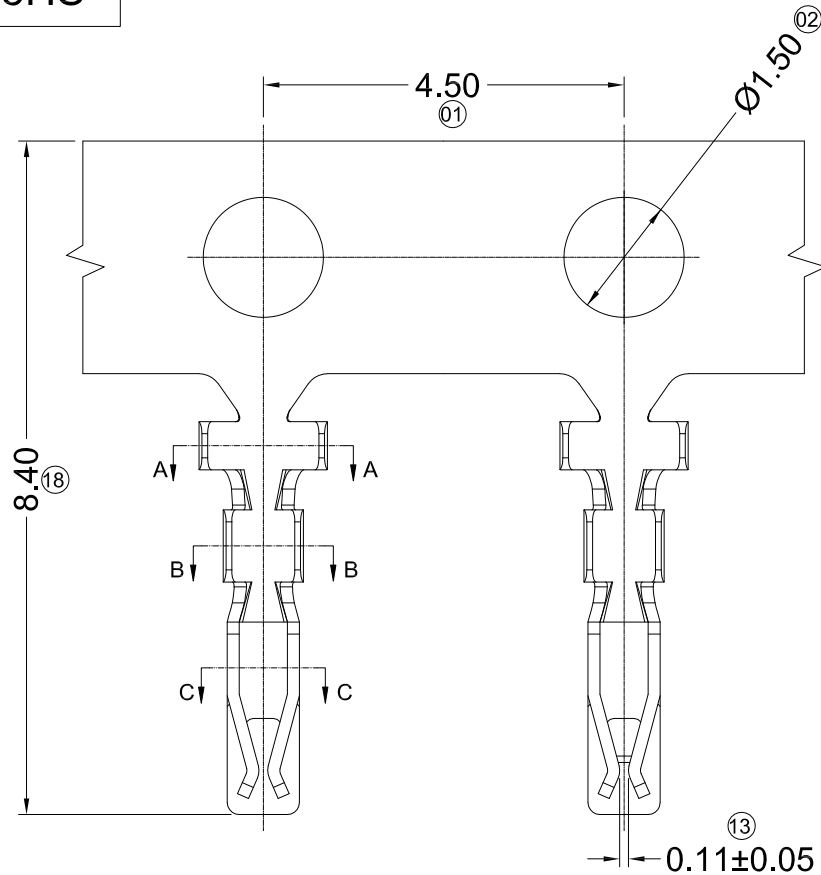


东莞市国亚电子有限公司
Dong Guan Guo Ya Connectors co., ltd.

APPROVAL	CHECK	DRAWN	DATE
Yangzhengguo	Yangzhengyi	Lvtiansheng	2016/08/26

PART NO.				
1520H-XX-N0				
TITLE				
1.50mm Crimp Style Connectors				
UNIT	SCALE	SHEET	REV	NUMBER
mm	1:1	1/1	A0	A-022

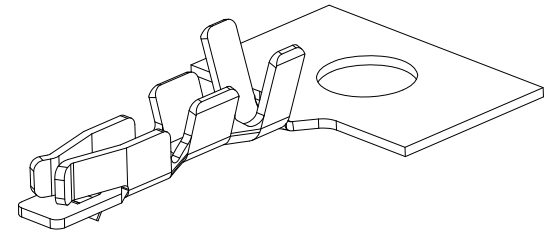
RoHS



- Specifications :
- Voltage rating: 250V AC / DC
 - Current rating: 4A AC / DC
 - Withstanding voltage: 100V AC/minute
 - Temperature range: -40° ~+105°
 - Insulation resistance: ≥100MΩ
 - Contact resistance: ≤20mΩ
 - After environmental testing: ≤40mΩ
 - Wire Range AWG#26-30 Insulation O.D.1.00mm Max
 - Used In GYA Housing 1520H

1520 T X - P XX X - X
 ① ② ③ ④ ⑤ ⑥ ⑦

- ① Series Number
- ② Category: T-terminal
- ③ Shape: Blank-ordinary
- ④ Material: P-Phosphor bronze
- ⑤ Plating Style: G05-Contact Gold 5u"
SN-Bright tin plating
- ⑥ Plating method: Blank-Stamping before plating
- ⑦ Mold No./Mark/Special No.



					GENERAL TOLERANCE .X ±0.30 .XX ±0.20 .XXX ±0.10 X.° ±2°				GYA 东莞市国亚电子有限公司 Connectors Dong Guan Guo Ya Connectors co., ltd.				PART NO. 1520T-PXX																										
					PROJECT 				APPROVAL Yangzhengguo				CHECK Yangzhengyi																										
									DRAWN Lvtiansheng				DATE 2016/08/26																										
													TITLE 1.50mm Crimp Style Connectors																										
DATE					REV					ECN NO.					DESCRIPTION					MODIFY					APPROVAL														
1					2					3					4					5					6					7					8				
																														UNIT mm SCALE 1:1 SHEET 1/1 REV A0 NUMBER A-014									