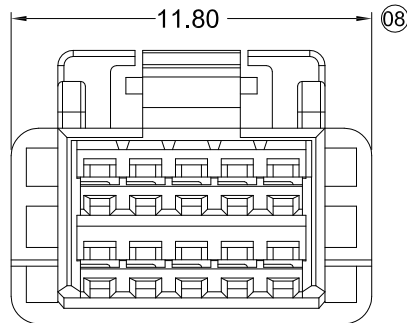
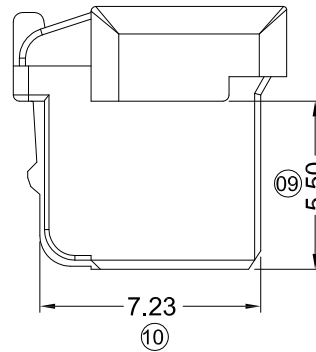
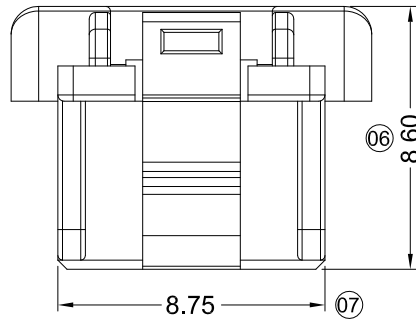
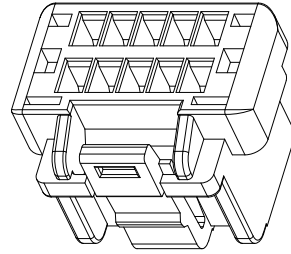
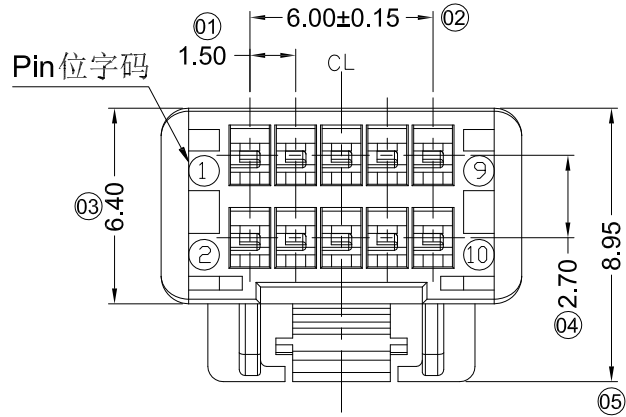


RoHS



Specifications :

- Voltage rating: 100V AC / DC
- Current rating: 2A AC / DC
- Withstanding voltage: 500V AC/minute
- Temperature range: -40° ~+105°
- Insulation resistance: ≥500MΩ
- Contact resistance: ≤20mΩ
- After environmental testing: ≤40mΩ
- Mates With GYA Housing : 1515T

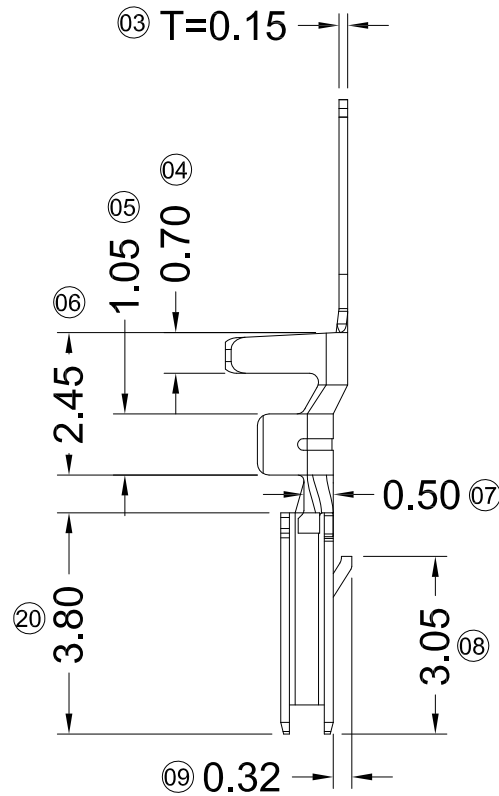
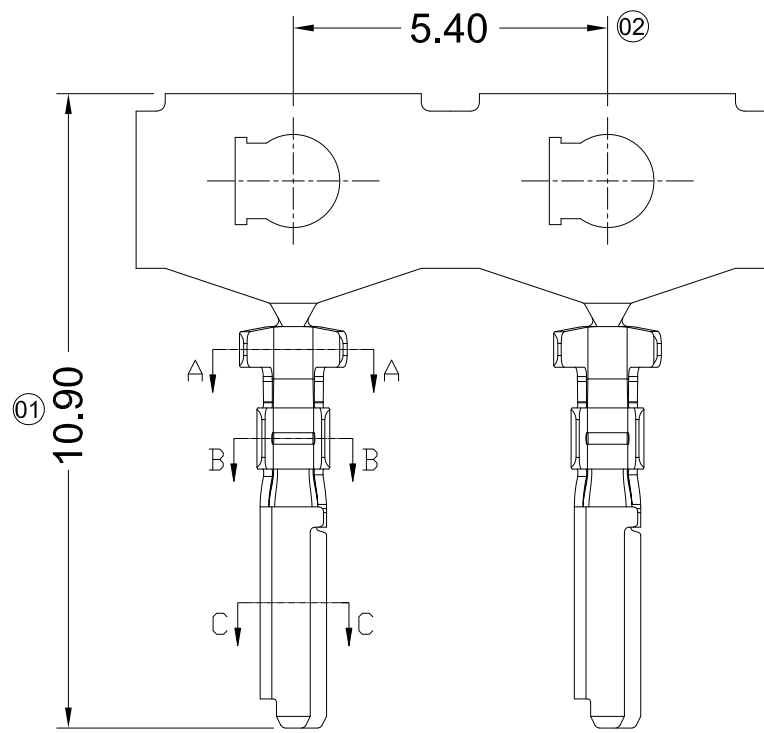
1515 H X - 2*XX X - PT XX

① ② ③ ④ ⑤ ⑥ ⑦

- ① Series No.
- ② Category: H-HSG
- ③ Appearance type: Blank-Ordinary
- ④ Row No.-Pin No.: 2*05- 2*5PIN
- ⑤ Plug the Pin & Special No. Blank-Ordinary
- ⑥ Material : PT-PBT 94V-0
- ⑦ Color: Blank-Natural Color

				GENERAL TOLERANCE .X ±0.30 .XX ±0.20 .XXX ±0.10 X.° ±2°		GYA 东莞市国亚电子有限公司 Connectors Dong Guan Guo Ya Connectors co., ltd.				PART NO. 1515H-2*05-PT				
				PROJECT		APPROVAL	CHECK	DRAWN	DATE	TITLE 1.50mm Crimp Style Connectors				
DATE	REV	ECN NO.	DESCRIPTION	MODIFY	APPROVAL	Yangzhengguo	Yangzhengyi	Lvtiansheng	2016/08/26	UNIT	SCALE	SHEET	REV	NUMBER
1		2								mm	1:1	1/1	A0	A-000

RoHS



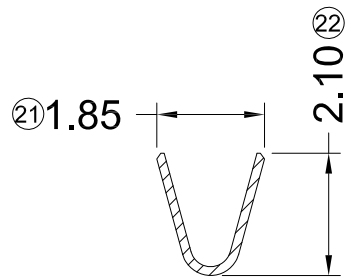
■ Specifications :

- Voltage rating: 100V AC / DC
- Current rating: 2A AC / DC
- Withstanding voltage: 500V AC/minute
- Temperature range: -40° ~+105°
- Insulation resistance: ≥500MΩ
- Contact resistance: ≤20mΩ
- After environmental testing: ≤40mΩ
- Material(Pin): Phosphor bronze
- Mates With GYA Housing : 1515H

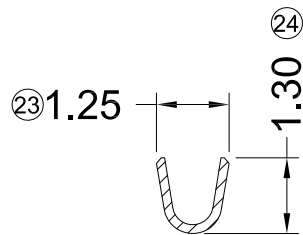
1515 T X - P SN X - X

① ② ③ ④ ⑤ ⑥ ⑦

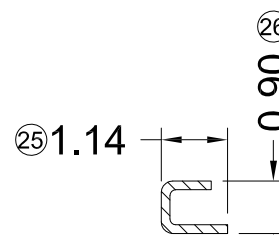
- ① Series Number
- ② Category: T-terminal
- ③ Shape: Blank-ordinary
- ④ Material: P-Phosphor bronze
- ⑤ Plating code: SN-Bright tin plating
- ⑥ Plating method:
Blank-Stamping before plating
- ⑦ Mold No./Mark/Special No.



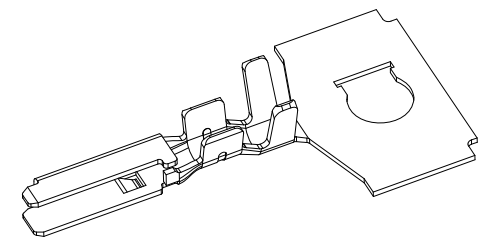
SECTION A-A
SCALE 1:1



SECTION B-B
SCALE 1:1

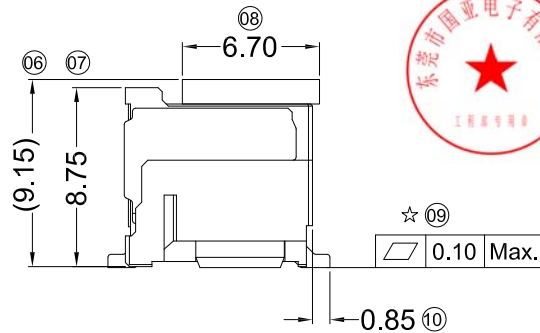
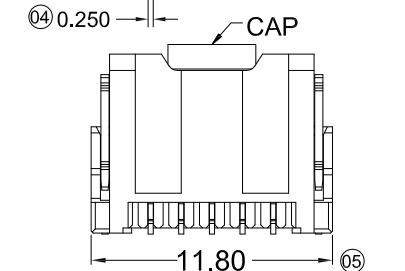
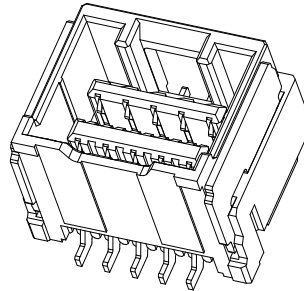
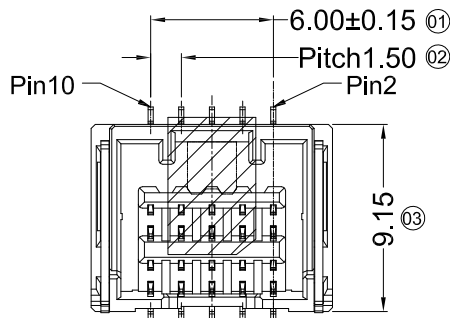


SECTION C-C
SCALE 1:1



				GENERAL TOLERANCE .X ±0.30 .XX ±0.20 .XXX ±0.10 X.° ±2°				GYA 东莞市国亚电子有限公司 Connectors Dong Guan Guo Ya Connectors co., ltd.				PART NO. 1515T-PSN																					
				PROJECT				APPROVAL		CHECK		DRAWN		DATE		TITLE 1.50mm Crimp Style Connectors																	
DATE				REV				ECN NO.				DESCRIPTION				MODIFY				APPROVAL				UNIT		SCALE		SHEET		REV		NUMBER	
1				2				3				4				5				mm		1:1		1/1		A0		A-014					

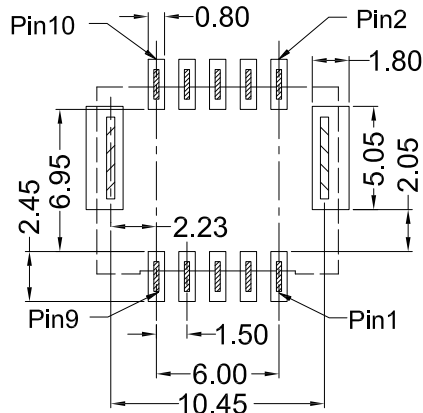
RoHS



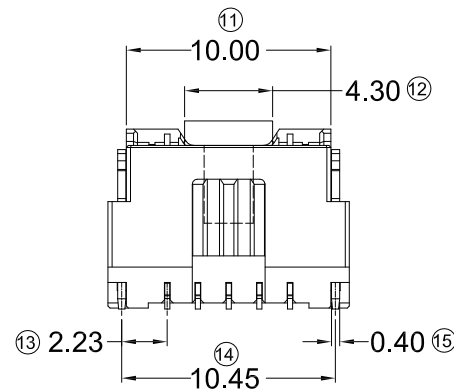
Specifications :

- Voltage rating: 100V AC / DC
- Current rating: 2A AC / DC
- Withstanding voltage: 500V AC/minute
- Temperature range: -40° ~+105°
- Insulation resistance: ≥500MΩ
- Contact resistance: ≤20mΩ
- After environmental testing: ≤40mΩ
- Material(Pin): Phosphor bronze
- Material(Stator): Brass
- Mates With GYA Housing : 1515H-2*05

1515 W V S - 2*05 X- LP SW XX
 (1) (2) (3) (4) (5) (6) (7) (8) (9)



RECOMMENDED P.C.B LAYOUT
(TOLERANCE:±0.05)



Rear View

- ① Series No.
- ② Category: W-wafer
- ③ Welding Board Angle: V- Straight 180°
- ④ Welding Way: S-SMT
- ⑤ Row No.-Pin No.: 2*05-2*05P
- ⑥ Plug the Pin & Special No.:
- ⑦ Material: LP -LCP 94V-0 ;
- ⑧ Planting Category: SW- Matte Tin Plating
- ⑨ Color: Blank-Natural Color

					GENERAL TOLERANCE .X ±0.30 .XX ±0.20 .XXX ±0.10 X.° ±2°				GYA 东莞市国亚电子有限公司 Connectors Dong Guan Guo Ya Connectors co., ltd.				PART NO. 1515WVS-2*05-LPSW																
					PROJECT 				APPROVAL Yangzhengguo				CHECK Yangzhengyi				DRAWN Lvtiansheng				DATE 2016/08/26				TITLE 1.50mm Crimp Style Connectors				
DATE	REV	ECN NO.	DESCRIPTION	MODIFY	APPROVAL					UNIT	SCALE	SHEET	REV	NUMBER															
1	2	3	4	5	6	7	8	9	10	11	12	13	14	15	mm	1:1	1/1	A0	A-000										