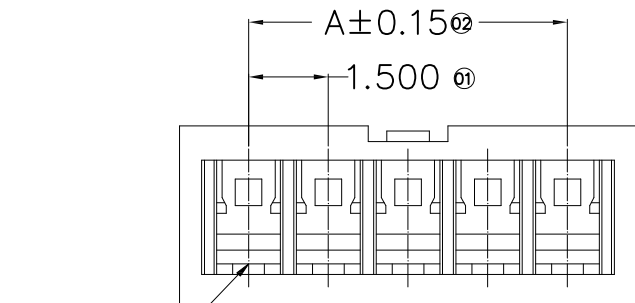
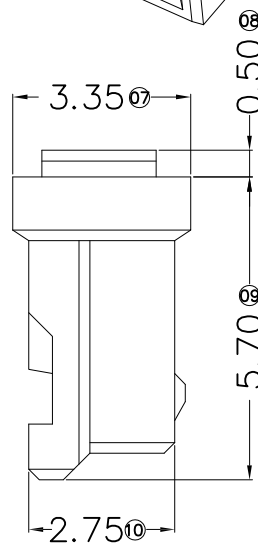
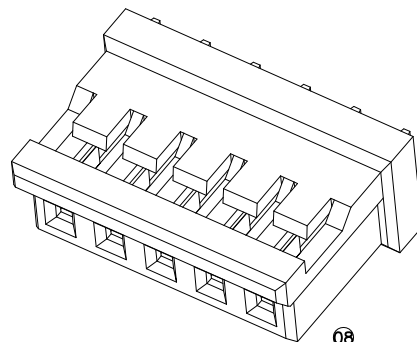
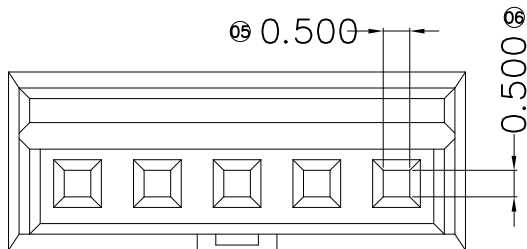
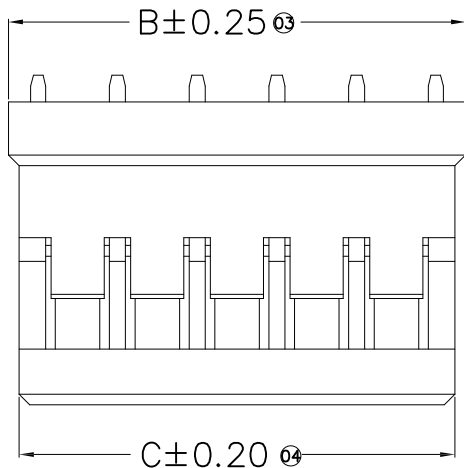


RoHS



Circuit 1



■ Specifications :

- Voltage rating: 350V AC / DC
- Current rating: AWG#24 2.5A AC / DC ▲
AWG#26 2.0A AC / DC
AWG#28 1.5A AC / DC
- Withstanding voltage: 500V AC/minute
- Temperature range: -40° ~ +105°
- Insulation resistance: ≥1000MΩ
- Contact resistance: ≤20mΩ
- After environmental testing: ≤40mΩ
- Suitable GYA Terminal: 1511T
- Mates With GYA Wafer: 1511W
1511 H X-XX X-NO XX XX
① ② ③ ④ ⑤ ⑥ ⑦ ⑧

- ① Series No.
- ② Category : H-HSG
- ③ Welding Board Angle : Blank-ordinary
- ④ Row No.-Pin No.: XX-02P~15P
- ⑤ Special No. :
- ⑥ Material : NO-PA66 94V-0
- ⑦ HF-Halogen Free
- ⑧ Color: Blank-White Color RE-Red
GE-Green BL-Blue

Poles	Dimensions (mm)			Poles	Dimensions (mm)		
	A	B	C		A	B	C
02	1.50	4.10	3.70	09	12.00	14.60	14.20
03	3.00	5.60	5.20	10	13.50	16.10	15.70
04	4.50	7.10	6.70	11	15.00	17.60	17.20
05	6.00	8.60	8.20	12	16.50	19.10	18.70
06	7.50	10.10	9.70	13	18.00	20.60	20.20
07	9.00	11.60	11.20	14	19.50	22.10	21.70
08	10.50	13.10	12.70	15	21.00	23.60	23.20



DATE	REV	ECN ON.	DESCRIPTION	MODIFY	APPROVAL
1					
2					
3					
4					

GENERAL TOLERANCE	
.X	±0.35
.XX	±0.25
.XXX	±0.15
X.°	±2°
PROJECT	

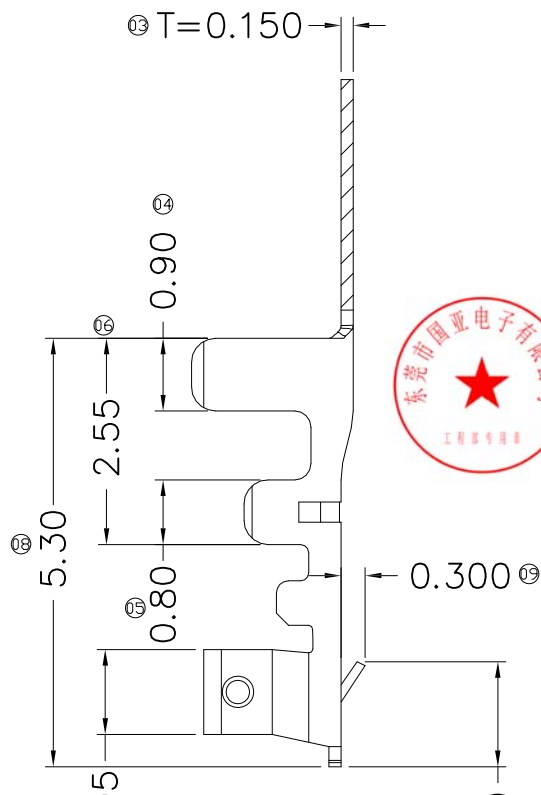
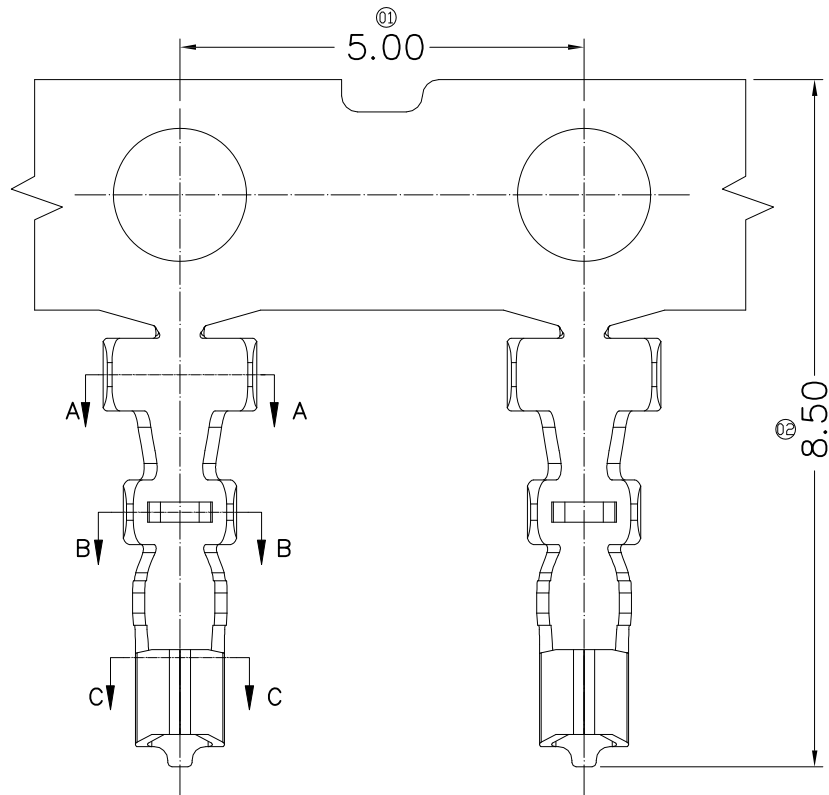


东莞市国亚电子有限公司
Dong Guan Guo Ya Connectors co., Ltd.

APPROVAL	CHECK	DRAWN	DATE
Yangzhengguo	Yangzhengyi	Lvtiansheng	2016/08/26

PARTNO.		1511H-XX-NOXXXX		
TITLE				
1.50mm Crimp Style Connectors				
UNIT	SCALE	SHEET	REV	NUMBER
mm	1:1	1/1	A0	A-241

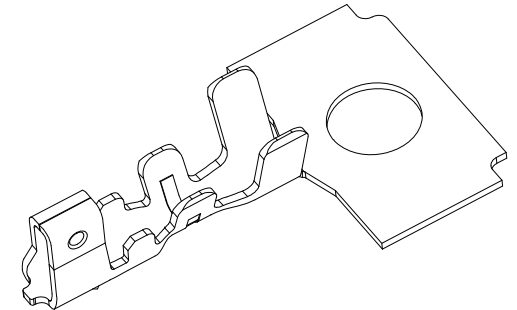
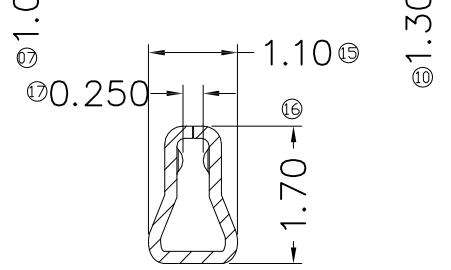
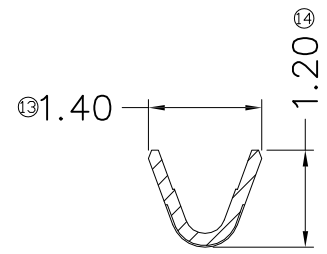
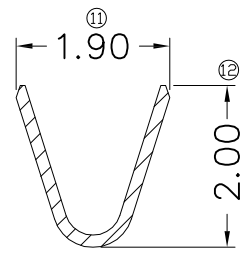
RoHS



- Specifications :**
- Voltage rating: 350V AC / DC
 - Current rating: AWG#24 2.5A AC / DC AWG#26 2.0A AC / DC AWG#28 1.5A AC / DC
 - Withstanding voltage: 500V AC/minute
 - Temperature range: -40° ~+105°
 - Insulation resistance: ≥1000MΩ
 - Contact resistance: ≤20mΩ
 - After environmental testing: ≤40mΩ
 - Wire Size: AWG#24~28
 - Insulation O.D.: 1.10mm(Max)
 - Used in GYA Housing: 1511H

1511 T X - P SN X - X
 ① ② ③ ④ ⑤ ⑥ ⑦

- ① Series Number
- ② Category: T-terminal
- ③ Connector type : Blank-ordinary
- ④ Material : P-Phosphor bronze
- ⑤ Plating code: SN-Bright tin plating
G01-Contact Area Gold Flash
V01-Gold Flash
- ⑥ Plating method :
Blank-Stamping before plating
- ⑦ Mold No./Mark/Special No.



DATE	REV	ECN ON.	DESCRIPTION	MODIFY	APPROVAL
1					
2					
3					
4					

GENERAL TOLERANCE	
.X	±0.35
.XX	±0.25
.XXX	±0.15
X.*	±2°
PROJECT	

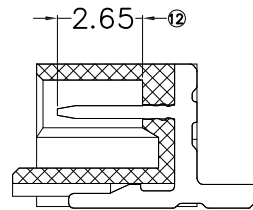
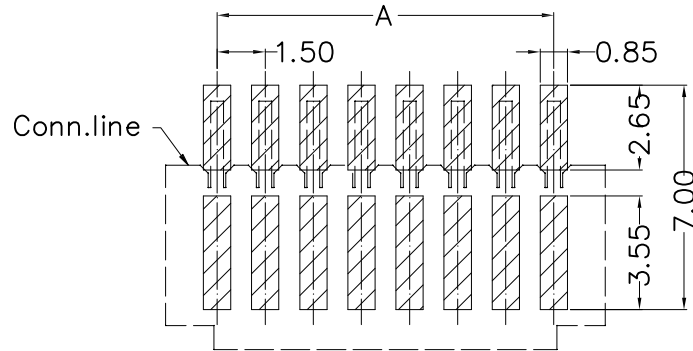
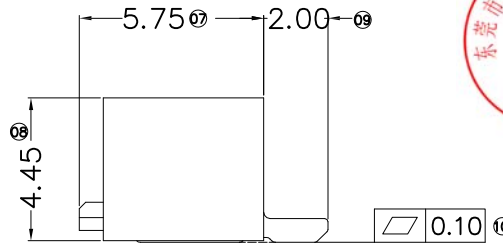
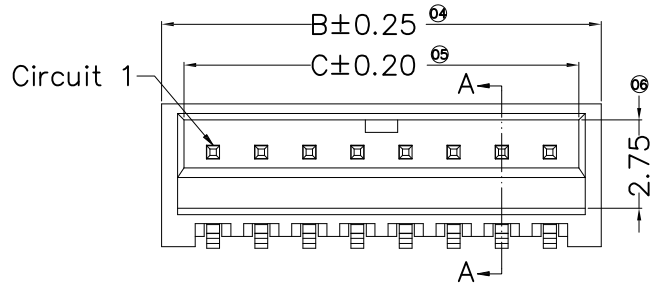
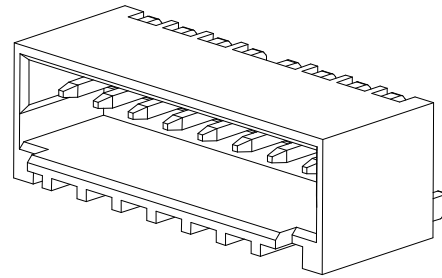
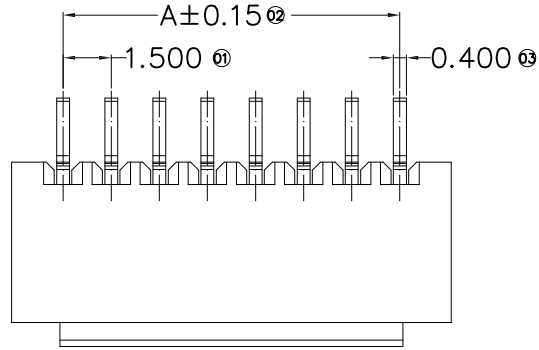


东莞市国亚电子有限公司
 Dong Guan Guo Ya Connectors co., ltd.

APPROVAL	CHECK	DRAWN	DATE
Yangzhengguo	Yangzhengyi	Lvtiansheng	2016/08/26

PARTNO. 1511T-PXX				
TITLE 1.50mm Crimp Style Connectors				
UNIT	SCALE	SHEET	REV	NUMBER
mm	1:1	1/1	A0	XXXX

RoHS



SECTION A-A
SCALE 1:1

Recommended P.C.B Layout
General Tolerance ±0.05

Specifications:

- Voltage rating: 350V AC / DC
- Current rating: AWG#24 2.5A AC / DC
- AWG#26 2.0A AC / DC
- AWG#28 1.5A AC / DC
- Withstanding voltage: 500V AC/minute
- Temperature range: -40° ~ +105°
- Insulation resistance: ≥1000MΩ
- Contact resistance: ≤20mΩ
- After environmental testing: ≤40mΩ
- Mates With GYA Housing: 1511H

1511 W R S - 1 x XX -XX X B XX R H 001 F
① ② ③ ④ ⑤ ⑥ ⑦ ⑧ ⑨ ⑩ ⑪ ⑫ ⑬

- ① Series No.
- ② Category : W-wafer
- ③ Connector type : R-Right Angle 90°
- ④ Mouting type: S-SMT
- ⑤ Row No.-Pin No per row: 1xXX-Single Row 1xXXPin
- ⑥ Plastic material: LP- LCP 94V-0 ; 4T-PA4T 94V0
- ⑦ Color: N-Natural; B-Black; R-Red; L-Blue
- ⑧ Metal material: B-Brass
- ⑨ Plating code: 04-Matte Tin ; 10-Gold Flash
- ⑩ Packing: R-Reel
- ⑪ RoHS/HF code:H-Halogen-Free
- ⑫ Sequence number: 001
- ⑬ Special code: F-----Other Connectors
Q-----Automotive Connecto

Poles	Dimensions (mm)			Poles	Dimensions (mm)		
	A	B	C		A	B	C
02	1.50	4.70	3.30	09	12.00	15.20	13.80
03	3.00	6.20	4.80	10	13.50	16.70	15.30
04	4.50	7.70	6.30	11	15.00	18.20	16.80
05	6.00	9.20	7.80	12	16.50	19.70	18.30
06	7.50	10.70	9.30	13	18.00	21.20	19.80
07	9.00	12.20	10.80	14	19.50	22.70	21.30
08	10.50	13.70	12.30	15	21.00	24.20	22.80

DATE	REV	ECN NO	DESCRIPTION	MODIFY	APPROVAL
1					
2					
3					
4					

GENERAL TOLERANCE	
.X	±0.30
.XX	±0.20
.XXX	±0.10
X.*	±2°
PROJECT	
⊕	⊖

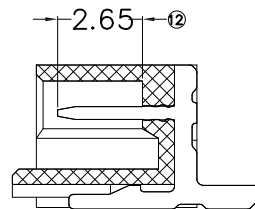
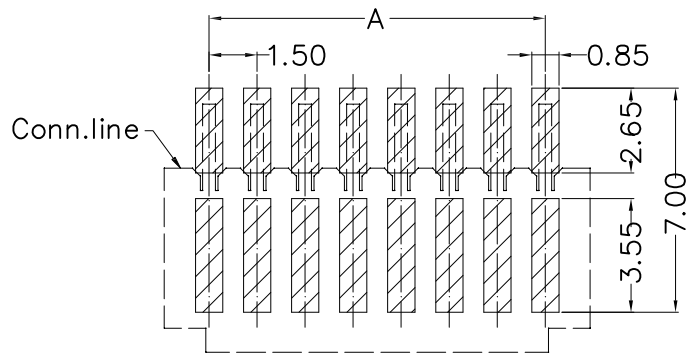
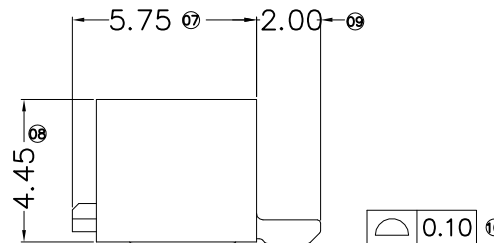
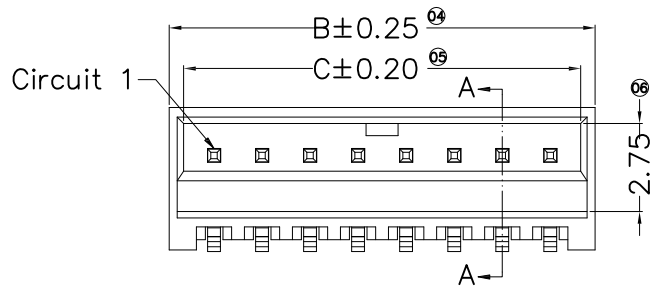
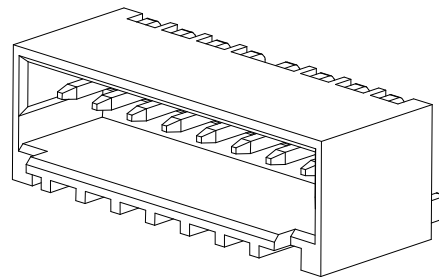
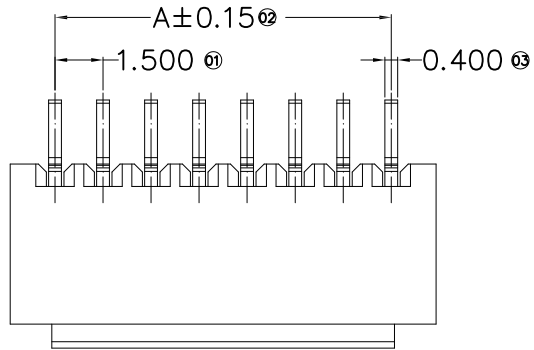


东莞市国亚电子有限公司
Dong Guan Guo Ya Connectors co., ltd.

APPROVAL	CHECK	DRAWN	DATE
Yangzhengguo	Yangzhengyi	Lvtiansheng	2016/08/26

PARTNO.				
1511WRS-1xXX- XXXBXXRH001F				
TITLE				
1.50mm Crimp Style Connectors				
UNIT	SCALE	SHEET	REV	NUMBER
mm	1:1	1/1	A0	A-000

RoHS



SECTION A-A
SCALE 1:1



■ Specifications:

- Voltage rating: 350V AC / DC
- Current rating: AWG#24 2.5A AC / DC
 △ AWG#26 2.0A AC / DC
 AWG#28 1.5A AC / DC
- Withstanding voltage: 500V AC/minute
- Temperature range: -40° ~ +105°
- Insulation resistance: ≥1000Ω
- Contact resistance: ≤20mΩ
- After environmental testing: ≤40mΩ
- Material(Pin): Brass
- Mates With GYA Housing: 1511H

1511 W R S-XX HF-LP SW XX
 ① ② ③ ④ ⑤ ⑥ ⑦ ⑧ ⑨

- ① Series No.
- ② Category : W-wafer
- ③ Connector type: R- Right Angle 90°
- ④ Mouting type: S-SMT
- ⑤ RowNo.-Pin No per row: XX-02P~15P
- ⑥ Special No.: HF-Halogen Free
- ⑦ Material : LP -LCP 94V-0
- ⑧ Plating code: SW- Matte Tin Plating
 V01-Plating Gold flash;
- ⑨ Color: Blank-Natural Color RE-Red
 GE-Green BL-Blue BK-Black

Poles	Dimensions (mm)			Poles	Dimensions (mm)		
	A	B	C		A	B	C
02	1.50	4.30	3.40	09	12.00	14.80	13.90
03	3.00	5.80	4.90	10	13.50	16.30	15.40
04	4.50	7.30	6.40	11	15.00	17.80	16.90
05	6.00	8.80	7.90	12	16.50	19.30	18.40
06	7.50	10.30	9.40	13	18.00	20.80	19.90
07	9.00	11.80	10.90	14	19.50	22.30	21.40
08	10.50	13.30	12.40	15	21.00	23.80	22.90

Recommended P.C.B Layout
 General Tolerance ±0.05

					GENERAL TOLERANCE .X ±0.30 .XX ±0.20 .XXX ±0.10 X.* ±2°		GYA 东莞市国亚电子有限公司 Connectors Dong Guan Guo Ya Connectors co., ltd.			PARTNO. 1511WRS-XXHF-LPXXXX			
					PROJECT 		APPROVAL Yangzhengguo	CHECK Yangzhengyi	DRAWN Lviansheng	DATE 2016/08/26		TITLE 1.50mm Crimp Style Connectors	
DATE	REV	ECN NO	DESCRIPTION	MODIFY	APPROVAL			UNIT	SCALE	SHEET	REV	NUMBER	
1		2		4				mm	1:1	1/1	A0	A-000	