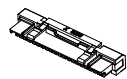
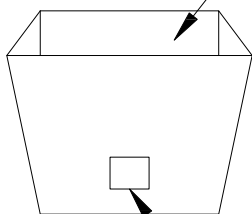


RoHS

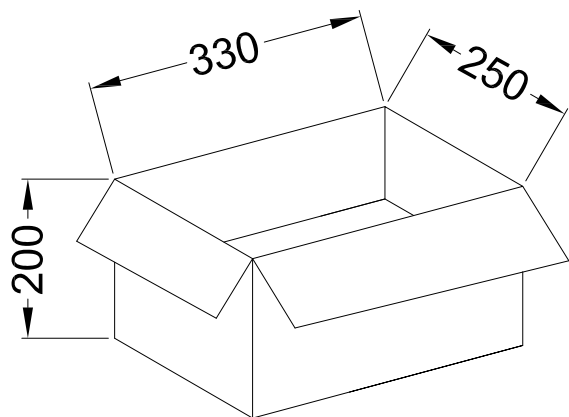
包装图



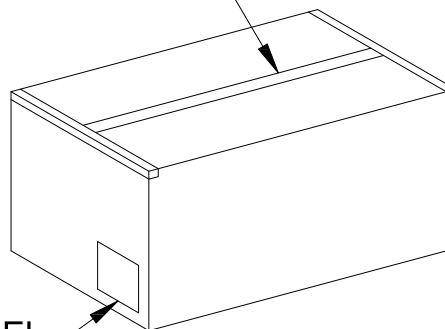
PE袋



Lable 标签



胶带ADHESIVE TAPE



标签LABEL

Note注解:

1. Put Housing in a PE bag, PE bag gauge for: 130 * 135 * 0.10 mm, Packing detail see the table below

将 Housing放入PE袋内, PE袋规为:130*135*0.10mm, 详细包装见下表

2. Put PE bag packed products in specifications of 330 * 250 * 300 mm cartons, Packing detail see the table below

将装好产品的PE袋放入规格为330*250*200mm的纸箱内, 详细包装见下表

3. Label depends on customer request, carton opening joint with transparent tape
标签依客户要求而定, 纸箱开口处用透明胶带贴合.

Poles	Bag PCS	CARTON Bag	CARTON PCS
05	1000	75	75K
10	1000	75	75K
15	1000	75	75K
20	1000	75	75K
25	1000	75	75K

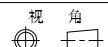
GENERAL TOLERANCE

.X ±0.30

.XX ±0.20

.XXX ±0.10

X° ±0.2°



东莞市国亚电子有限公司
Dong Guan Guo Ya Connectors co., Ltd.

APPROVAL

CHECK

DRAWN

DATE

Yangzhengguo

Yangzhengyi

Lvtiansheng

2016/08/26

PART NO.:

1257H-XX-XX

TITLE:

1.25mm Housing Package

UNIT

SCALE

SHEET

REV

NUMBER

mm

1:1

1/1

A0

A-106

DATE	REV	ECN NO.	DESCRIPTION	MODIFY	APPROVAL
1					

1 2 3 4 5 6 7 8

RoHS

包装图



Note注解:

1.Quantity 数量:

15K PCS/REEL 一卷15K/PCS

10 REEL/BOX 一箱10卷

150K PCS/BOX 一箱150K/PCS

2.Each reel and outer box must be labeled and Eco-Label Respectively labeled

每盘和外箱都必须有标签及环保标签分别标示

3.Terminal winding direction as shown

端子缠绕方向如左图所示

4.There shall be no dirt such as deformation phenomenon, Mantissa box fillers must be used

每箱不可有脏污, 变形现象, 尾数箱必须用填充物

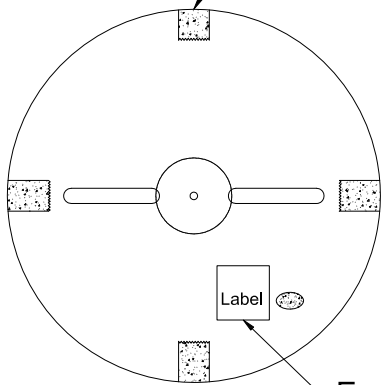
5.纸箱材质Carton material: K=K

6. 纸箱厚度Carton thickness: 6~7mm

F
E
D
C
B
A

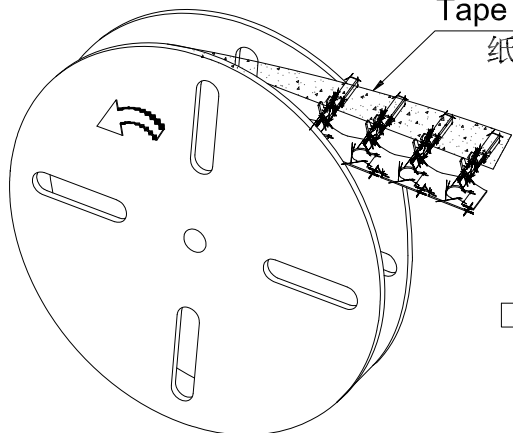
F
E
D
C
B
A

Adhesive tape
胶带

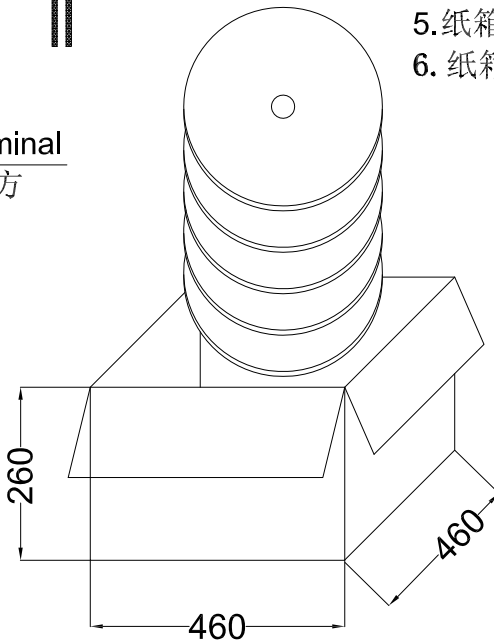


Eco-Label环保标签

Tape over the terminal
纸带在端子上方



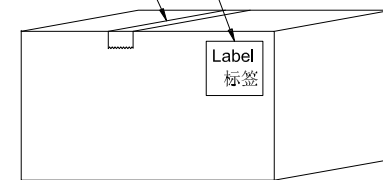
卷装方式
Package way



Label unified on the box top right corner

外箱标签位于右上角

Adhesive tape胶带



DATE	REV	ECN NO.	DESCRIPTION	MODIFY	APPROVAL
1					
2					
3					
4					

GENERAL TOLERANCE	
.X	±0.30
.XX	±0.20
.XXX	±0.10
X°	±0.2°

GYA 东莞市国亚电子有限公司
Connectors Dong Guan Guo Ya Connectors co.,ltd.

APPROVAL	CHECK	DRAWN	DATE
Yangzhengguo	Yangzhengyi	Lvtiansheng	2016/08/26

PART NO.:				
1257T-PXX				
TITLE:				
1.25mm Terminal Packing				
UNIT	SCALE	SHEET	REV	NUMBER
mm	1:1	1/1	A0	A-014

1 2 3 4 5 6 7 8