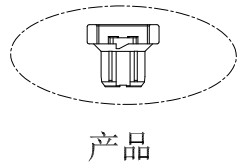
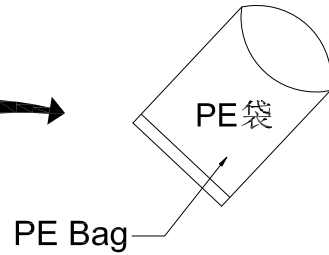


RoHS

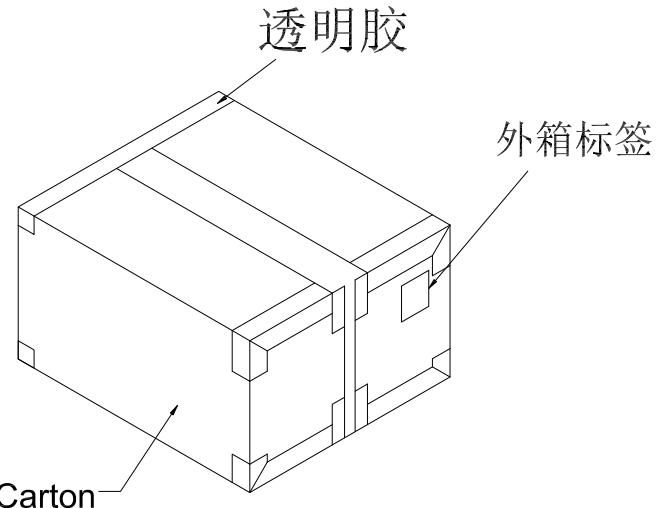
包装图



干燥剂
1PCS



步骤一



步骤二



包装说明:

步骤1: 将检验好之产品依包装数量装入PE袋中, 并将PE袋封好. 贴上标签.

步骤2: 将装好产品的PE袋依包装数量, 装入纸箱并用

透明胶四周封好. 贴上标签.

注: 尾数可用填充物填充.

Part No.	PIN	PE Bag		Carton		Total
		PCS/PE	SIZE (CM)	BAG/Carton	SIZE (CM)	
1256HM-2x08-NOBBH01F	16	500	26x18x0.010	10	44.5x27.5x20.5	5,000

GENERAL TOLERANCE

.X ±0.35

.XX ±0.25

.XXX ±0.15

X° ±0.2°

视图

GYA
Connectors

东莞市国亚电子有限公司
Dong Guan Guo Ya Connectors co., Ltd.

APPROVAL

CHECK

DRAWN

DATE

Yangzhengguo

Yangzhengyi

Lvtiansheng

2016/08/26

PART NO.:

1256HM-2x08-NOBBH01F

TITLE:

1.25mm Housing Packing

UNIT

SCALE

SHEET

REV

NUMBER

MM

1:1

1/1

A0

A-022

DATE

REV

ECN NO.

DESCRIPTION

MODIFY

APPROVAL

1

2

3

4

5

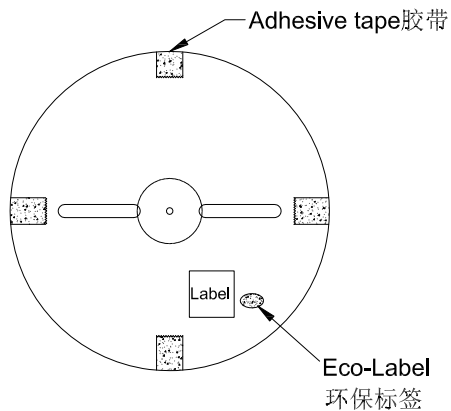
6

7

8

RoHS

包装图



Note 注解:

1.Quantity 数量:

8K PCS/REEL 一卷8K/PCS

△ 9 REEL/BOX 一箱9卷

△ 72K PCS/BOX 一箱72K/PCS

2.Each reel and outer box must be labeled and Eco-Label Respectively labeled

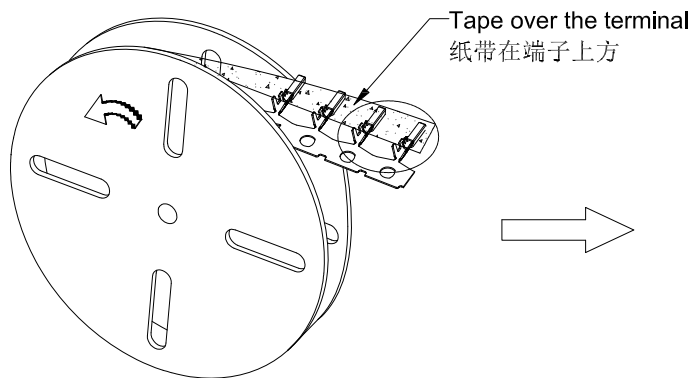
每盘和外箱都必须有标签及环保标签分别标示

3.Terminal winding direction as shown
端子缠绕方向如左图所示

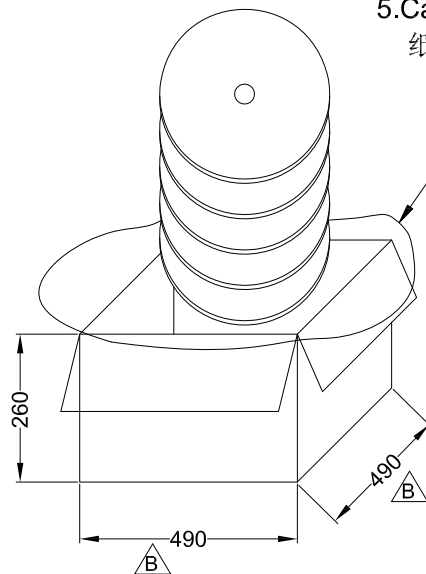
4.There shall be no dirt such as deformation phenomenon, Mantissa box fillers must be used

每箱不可有脏污, 变形现象, 尾数箱必须用填充物

5.Cartan material: K=K, Carton thickness: 6±1mm
纸箱材质:K=K, 纸箱厚度:6~7mm △



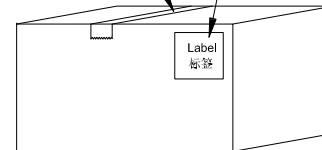
卷装方式
Package way



PE bag packing
PE袋包装
Drier
干燥剂放两包10g

Adhesive tape 胶带

Label unified on the box
top right corner
外箱标签位于右上角



					GENERAL TOLERANCE .X ±0.35 .XX ±0.25 .XXX ±0.15 X° ±0.2° 视图 		GYA 东莞市国亚电子有限公司 Connectors Dong Guan Guo Ya Connectors co., Ltd.		PART NO.: 1256TF-HXXS-01F	
					APPROVAL Yangzhengguo		CHECK Yangzhengyi		DRAWN Lviansheng	
					DATE 2016/08/26		TITLE: 1.25mm Terminal Packing		UNIT SCALE SHEET REV NUMBER MM 1:1 1/1 A0 A-014	
DATE	REV	ECN NO.	DESCRIPTION	MODIFY	APPROVAL					