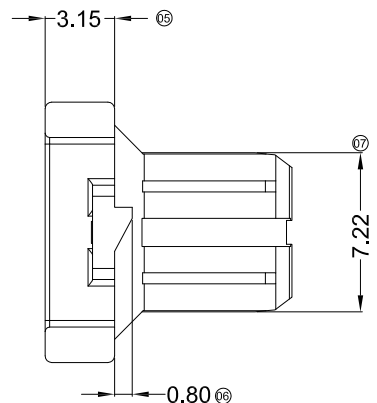
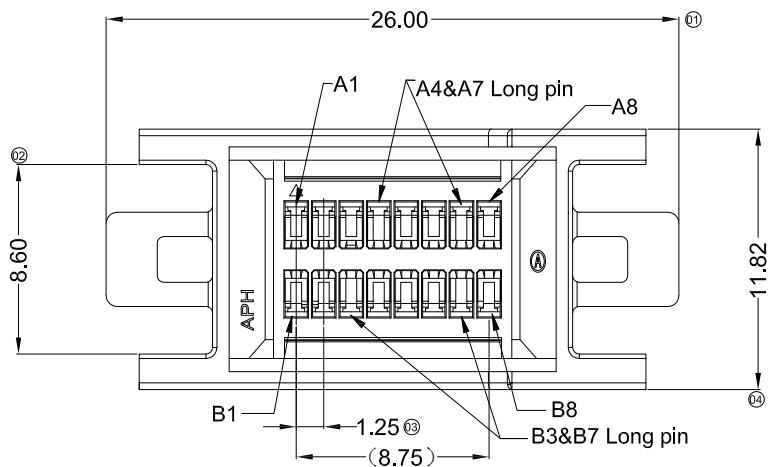


RoHS

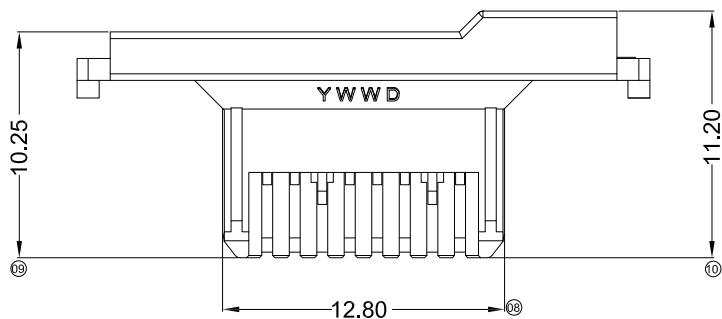
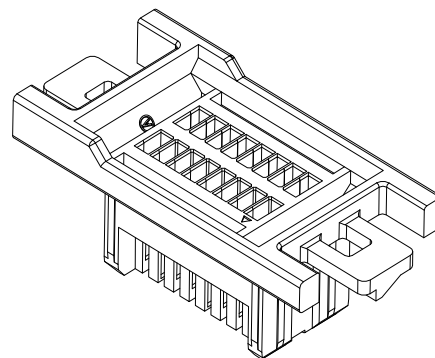


- Specifications :
- Voltage rating: 100V AC / DC
  - Current rating: 2.8A AC / DC
  - Withstanding voltage: 250V AC/minute
  - Temperature range: -25° ~+85°
  - Insulation resistance:  $\geq 500\text{M}\Omega$
  - Contact resistance:  $\leq 20\text{m}\Omega$
  - After environmental testing:  $\leq 40\text{m}\Omega$
  - Mates With GYA Terminal 1256T

1256 H M - 2\*08 - NO B B H 01 F

① ② ③ ④ ⑤ ⑥ ⑦ ⑧ ⑨ ⑩

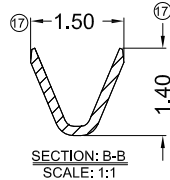
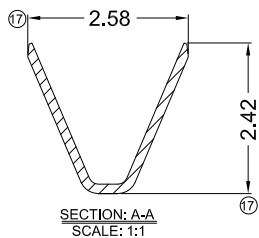
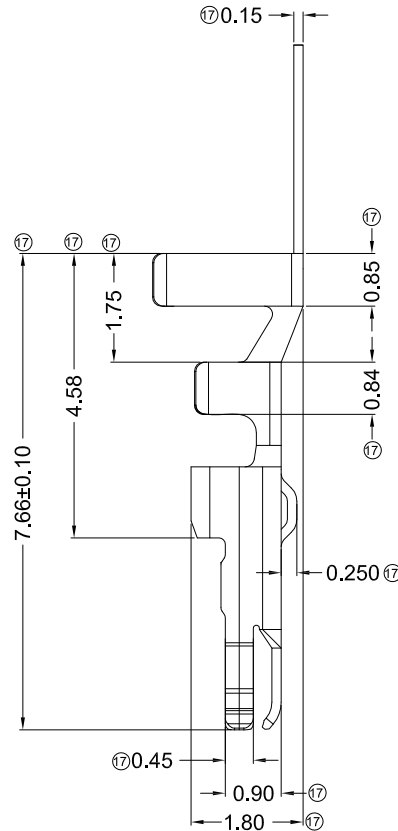
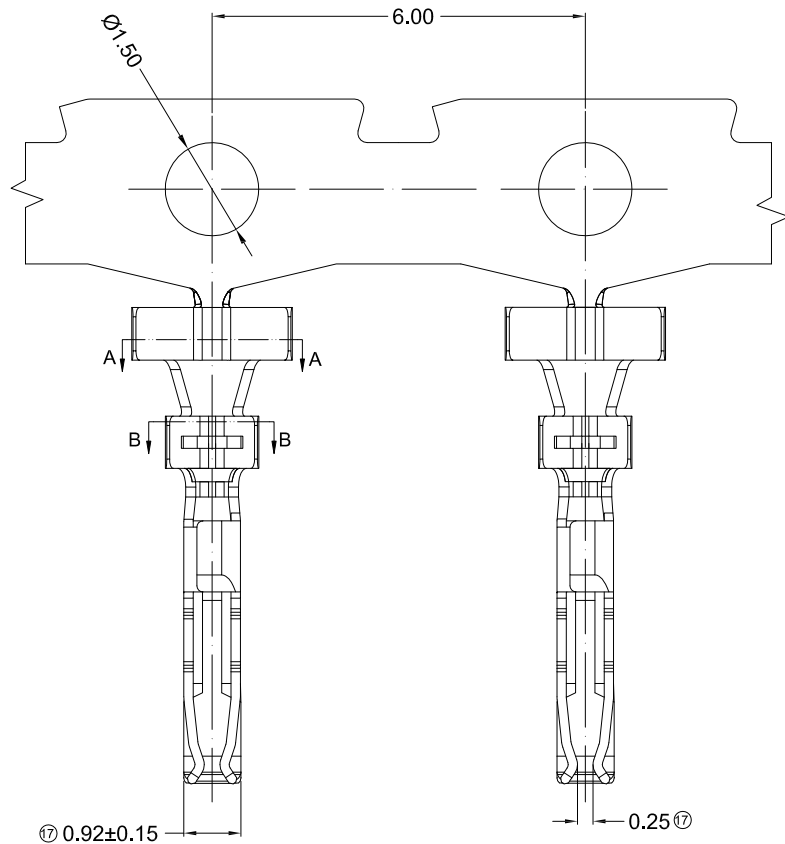
- ① NoSeries encoding: 1256
- ② Category: H-Housing
- ③ Product Form Coding: M-Male
- ④ Pin Number.: 2\*08 Pin;
- ⑤ material quality: N0-PA66 94V-0
- ⑥ Color code: B-Black
- ⑦ Packaging code: B- Bag
- ⑧ Environmental Code: H-Halogen-free
- ⑨ Fluid code: 01-99
- ⑩ Non-vehicle codes: F



DATE	REV	ECN NO	DESCRIPTION	MODIFY	APPROVAL	<b>GYA</b> 东莞市国亚电子有限公司 Dong Guan Guo Ya Connectors co., Ltd. Connectors				PART NO. 1256HM-2*08-N0BBH01F				
						APPROVAL	CHECK	DRAWN	DATE	TITLE 1.00mm Crimp Style Connectors				
						Yangzhengguo	Yangzhengyi	Lvliansheng	2016/08/26	UNIT	SCALE	SHEET	REV	NUMBER
						PROJECT				mm	1:1	1/1	A0	A-022

GENERAL TOLERANCE	
.X	$\pm 0.30$
.XX	$\pm 0.20$
.XXX	$\pm 0.10$
X. <sup>o</sup>	$\pm 2^{\circ}$

RoHS



■ Specifications :

- Voltage rating: 100V AC / DC
- Current rating: 2.8A AC / DC
- Withstanding voltage: 250V AC/minute
- Temperature range: -25° ~+85°
- Insulation resistance: ≥500MΩ
- Contact resistance: ≤20mΩ
- After environmental testing: ≤40mΩ
- Wire Range: AWG#26~AWG#28\*2
- Insulation O.D: 0.90mm(Max)
- Mates With GYA Housing : 1256H

1256 T F X-H XX S - 01 F

① ② ③ ④ ⑤ ⑥ ⑦ ⑧ ⑨

- ① Series Number: 1256
- ② Category: T- Terminal
- ③ Shape: F- Female
- ④ Form:
- ⑤ Material: H-High conductivity copper
- ⑥ Plating style: 06-Ni 50u" ; 100u" Matte Tin
- ⑦ Electroplating way: S - Stamping Before Plating
- ⑧ Fluid code: 01-99
- ⑨ Non-vehicle codes: F

					GENERAL TOLERANCE		<b>GYA</b> 东莞市国亚电子有限公司 Connectors Dong Guan Guo Ya Connectors co., Ltd.		PART NO. 1256TF-HXXS-01F									
					.X ±0.30				TITLE 1.25mm Crimp Style Terminal									
					.XX ±0.20													
					.XXX ±0.10				APPROVAL		CHECK		DRAWN		DATE			
					X.° ±2°		PROJECT		Yangzhengguo		Yangzhengyi		Lviliansheng		2016/08/26			
DATE	REV	ECN NO.	DESCRIPTION	MODIFY	APPROVAL									UNIT	SCALE	SHEET	REV	NUMBER
														mm	1:1	1/1	A0	A-000