

RoHS

包装图

Note注解:

1. Put Housing in a PE bag, PE bag gauge for: 130 \* 135 \* 0.10 mm, Packing detail see the table below

将 Housing放入PE袋内, PE袋规为:130\*135\*0.10mm, 详细包装见下表

2. Put PE bag packed products in specifications of 470 \* 280 \* 270 mm cartons, Packing detail see the table below

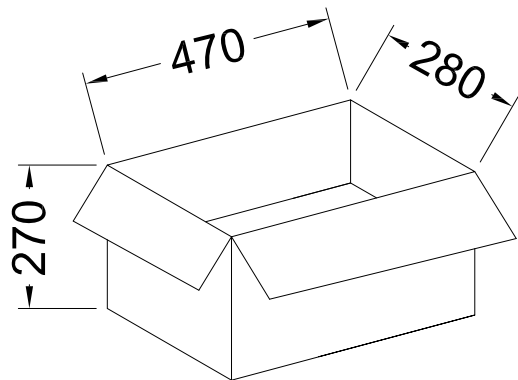
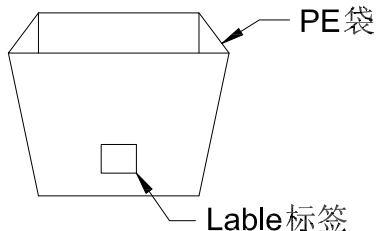
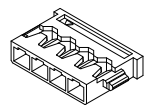
将装好产品的PE袋放入规格为 470 \* 280 \* 270mm的纸箱内, 详细包装见下表

3. Label depends on customer request, carton opening joint with transparent tape

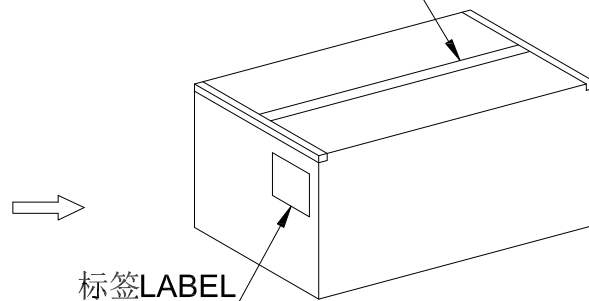
标签依客户要求而定, 纸箱开口处用透明胶带贴合.

4. Carton material: K=K, Carton thickness: 6~7mm

纸箱材质:K=K, 纸箱厚度:6~7mm



胶带ADHESIVE TAPE



Poles	Bag PCS	CARTON Bag	CARTON PCS
02	1000	400	400K
03	1000	400	400K
04	1000	350	350K
05	1000	350	350K
06	1000	300	300K
07	1000	300	300K
08	1000	250	250K
09	1000	250	250K
10	1000	200	200K

GENERAL TOLERANCE

.X ±0.30

.XX ±0.20

.XXX ±0.10

X° ±0.2°

视图



东莞市国亚电子有限公司  
Dong Guan Guo Ya Connectors co., Ltd.

APPROVAL

CHECK

DRAWN

DATE

Yangzhengguo

Yangzhengyi

Lvtiansheng

2016/08/26

PART NO.:

1224H-XX-XX

TITLE:

1.20mm Housing Package

UNIT

SCALE

SHEET

REV

NUMBER

mm

1:1

1/1

A0

A-022

DATE

1

REV

2

ECN NO

3

DESCRIPTION

MODIFY

4

APPROVAL

5

APPROVAL

CHECK

DRAWN

DATE

Yangzhengguo

Yangzhengyi

Lvtiansheng

2016/08/26

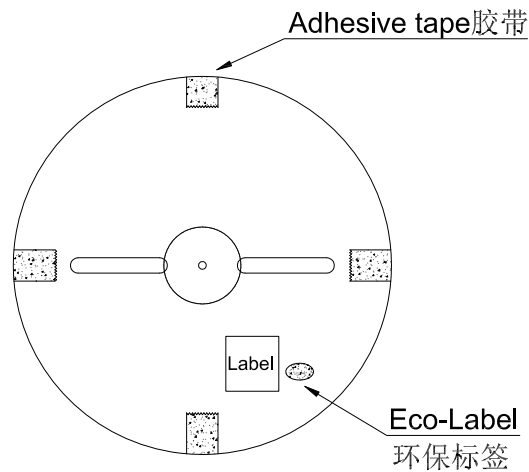
6

7

8

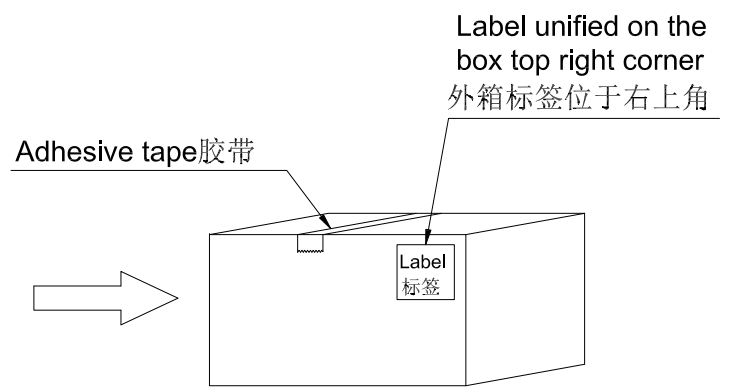
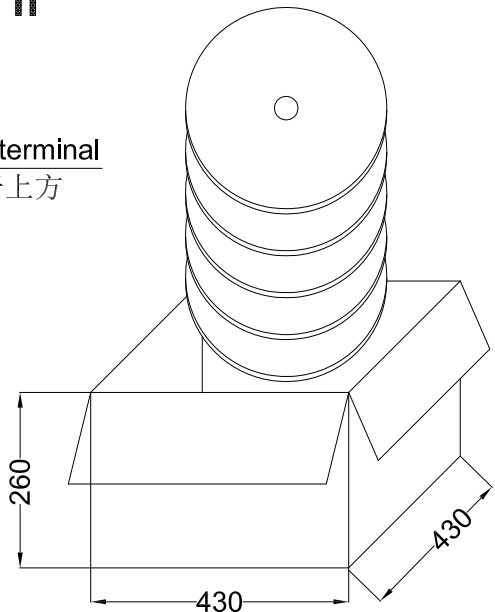
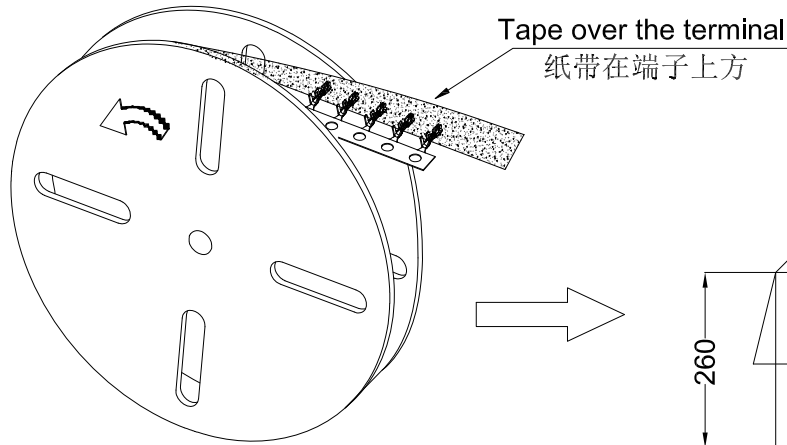
RoHS

包装图



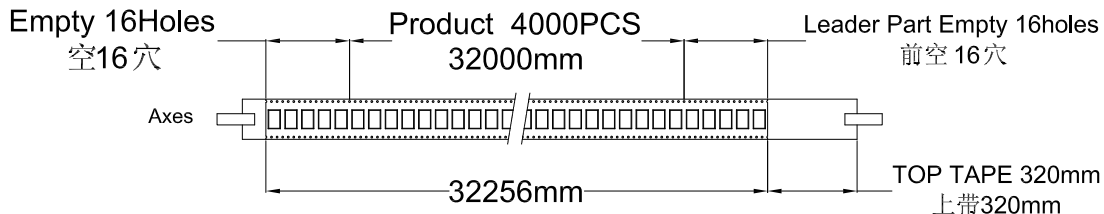
Note 注解:

- Quantity 数量:  
15K PCS/REEL 一卷15K/PCS  
10 REEL/BOX 一箱10卷  
150K PCS/BOX 一箱150K/PCS
- Each reel and outer box must be labeled and Eco-Label Respectively labeled  
每盘和外箱都必须有标签及环保标签分别标示
- Terminal winding direction as shown  
端子缠绕方向如左图所示
- There shall be no dirt such as deformation phenomenon, Mantissa box fillers must be used  
每箱不可有脏污, 变形现象, 尾数箱必须用填充物
- Carton material: K=K, Carton thickness: 6~7mm  
纸箱材质:K=K, 纸箱厚度:6~7mm

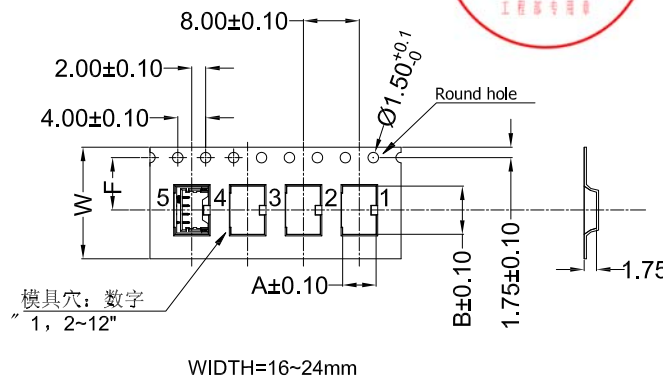
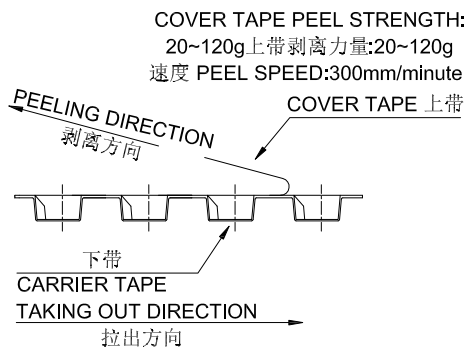
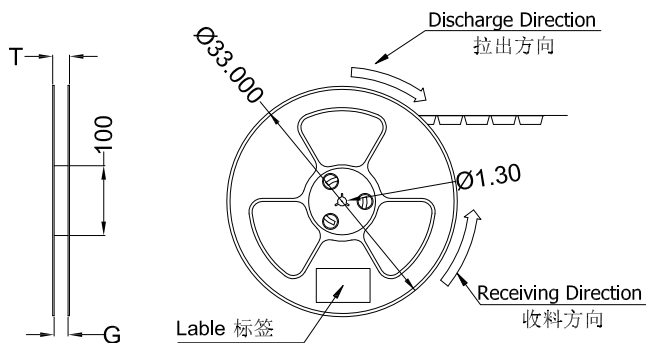


卷装方式  
Package way

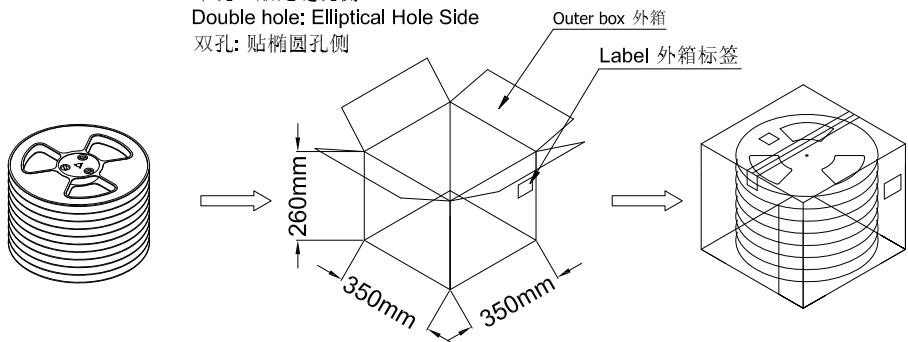
					GENERAL TOLERANCE .X ±0.30 .XX ±0.20 .XXX ±0.10 X° ±0.2° 视图 				<b>GYA</b> 东莞市国亚电子有限公司 Connectors Dong Guan Guo Ya Connectors co., Ltd.				PART NO.: 1224T-PXX																																									
					APPROVAL Yangzhengguo				CHECK Yangzhengyi				DRAWN Lvtiansheng				DATE 2016/08/26																																					
									TITLE: 1.20mm Terminal Packng																																													
DATE					REV					ECN NO					DESCRIPTION					MODIFY					APPROVAL					UNIT					SCALE					SHEET					REV					NUMBER				
1					2					3					4					5					6					7					8																			
mm					1:1					1/1					A0					A-014																																		



- Note:
- Carrier Camber Is Within 1mm In 100mm ; 带长100mm 内容许弯曲度1mm
  - 10 Sprocket Hole Pitch Cumulative Tolerance±0.2MM ; 圆孔十个孔距离累计允许公差为±0.2mm
  - Material for PS ; 材质为PS 无卤 透明
  - Thickness=0.30±0.05 ; 材料厚度为0.30±0.05mm
  - Carton material 纸箱材质:K=K; Carton Thickness 纸箱厚度: 6~7mm



Single hole: None Hole Side  
单孔: 贴无链孔侧  
Double hole: Elliptical Hole Side  
双孔: 贴椭圆孔侧



Part No.	A	B	W	S	F	T (MAX)	G (MAX)	REEL PCS	CARTON R	CARTON PCS
ZD1224WRS-02HF	4.80	4.50	16	/	7.50	20.50	16.40	4000	11R	44K
ZD1224WRS-03HF		5.70								
ZD1224WRS-04HF		6.90								
ZD1224WRS-05HF		8.10								
1224WRS-XX-XXXX		9.30								
ZD1224WRS-06HF		10.50								
ZD1224WRS-07HF		11.70	24	/	11.50	28.50	24.40	4000	8R	32K
ZD1224WRS-08HF		11.70								
ZD1224WRS-09HF		12.90								
ZD1224WRS-10HF		14.10								

DATE	REV	ECN NO	DESCRIPTION	MODIFY	APPROVAL	GENERAL TOLERANCE	APPROVAL				PART NO.:		TITLE:						
						.X ±0.30	<b>GYA</b> 东莞市国亚电子有限公司 Dong Guan Guo Ya Connectors co., Ltd. Connectors	CHECK	DRAWN	DATE	PPN: 1224WRS-XXX-XXXX		1.20mm Connectors SMT 90°						
					.XX ±0.20	CTN: ZD1224WRS-XXHF					Packing								
					.XXX ±0.10	UNIT					SCALE	SHEET	REV	NUMBER					
					X° ±0.2°	mm					1:1	1/1	A0	A-000					
					视图	Yangzhengguo	Yangzhengyi	Lvtiansheng	2016/08/26										