

RoHS

包装图

Note 注解:

1. Put Housing in a PE bag, PE bag gauge for: 130 * 135 * 0.10 mm, Packing detail see the table below

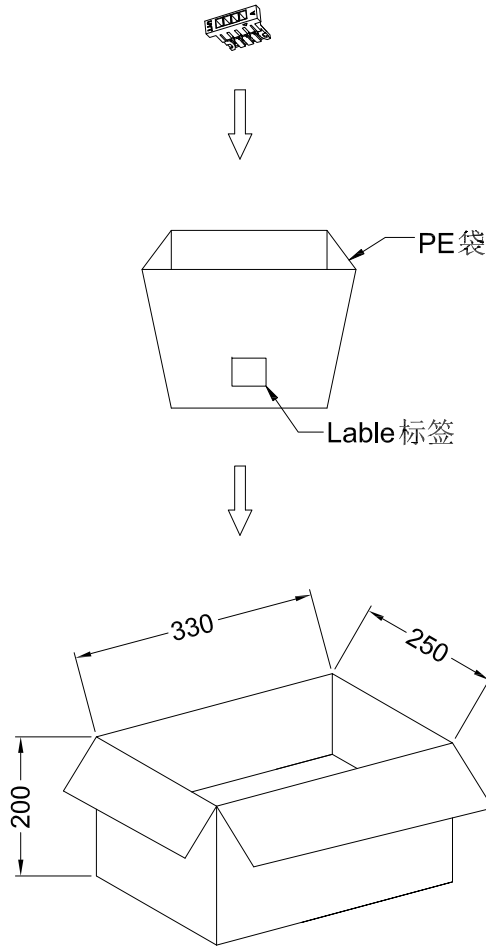
将 Housing放入PE袋内, PE袋规为:130*135*0.10mm, 详细包装见下表

2. Put PE bag packed products in specifications of 330 * 250 * 300 mm cartons, Packing detail see the table below

将装好产品的PE袋放入规格为330*250*200mm的纸箱内, 详细包装见下表

3. Label depends on customer request, carton opening joint with transparent tape

标签依客户要求而定, 纸箱开口处用透明胶带贴合.



胶带ADHESIVE TAPE

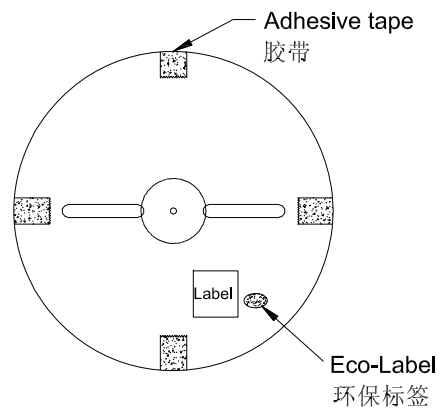
标签LABEL

Poles	Bag PCS	CARTON Bag	CARTON PCS
02	1000	75	75K
03	1000	75	75K
04	1000	75	75K
05	1000	75	75K
06	1000	75	75K
07	1000	75	75K
08	1000	75	75K
09	1000	75	75K
10	1000	75	75K
11	1000	75	75K
12	1000	75	75K
13	1000	75	75K
14	1000	75	75K
15	1000	75	75K
16	1000	75	75K
17	1000	75	75K
18	1000	75	75K
19	1000	75	75K
20	500	30	30K
22	500	30	30K
26	500	30	30K
30	500	30	30K

DATE	REV	ECN NO	DESCRIPTION	MODIFY	APPROVAL	GENERAL TOLERANCE	东莞市国亚电子有限公司 Dong Guan Guo Ya Connectors co., ltd.				PARTNO. 1011H-XX-XXHF				
						APPROVAL	CHECK	DRAWN	DATE	TITLE 1.00mm Housing Package					
						Yangzhengguo	Yangzhengyi	Lvtiansheng	2016/08/26	UNIT	SCALE	SHEET	REV	NUMBER	
						视角				mm	1:1	1/1	A0	A-106	

RoHS

包装图



Note注解:

1.Quantity 数量:

15K PCS/REEL 一卷15K/PCS

10 REEL/BOX 一箱10卷

150K PCS/BOX 一箱150K/PCS

2.Each reel and outer box must be labeled and Eco-Label Respectively labeled

每盘和外箱都必须有标签及环保标签分别标示

3.Terminal winding direction as shown

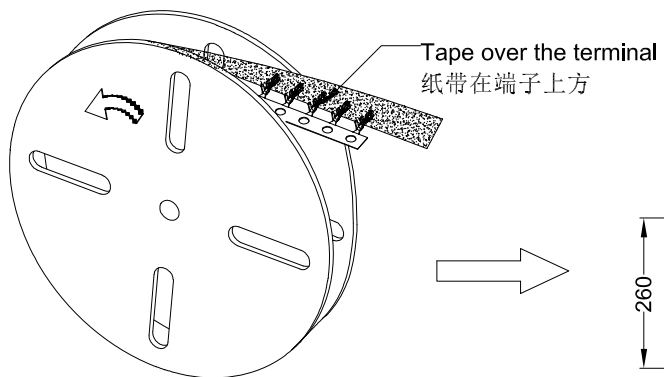
端子缠绕方向如左图所示

4.There shall be no dirt such as deformation phenomenon, Mantissa box fillers must be used

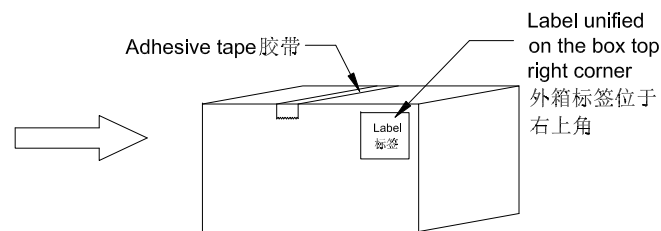
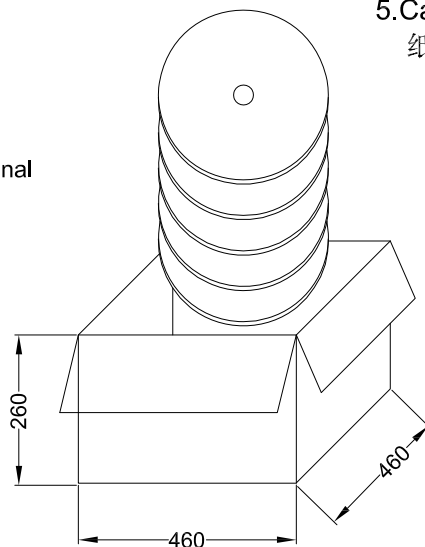
每箱不可有脏污, 变形现象, 尾数箱必须用填充物

5.Cartan material: K=K, Cartan thickness: 6~7mm

纸箱材质:K=K, 纸箱厚度:6~7mm



卷装方式
Package way



DATE	REV	ECN NO	DESCRIPTION	MODIFY	APPROVAL

GENERAL TOLERANCE

.X ±0.30

.XX ±0.20

.XXX ±0.10

X.° ±0.2°

视 角



东莞市国亚电子有限公司

Dong Guan Guo Ya Connectors co., Ltd.

APPROVAL

Yangzhengguo

CHECK

Yangzhengyi

DRAWN

Lvtiansheng

DATE

2016/08/26

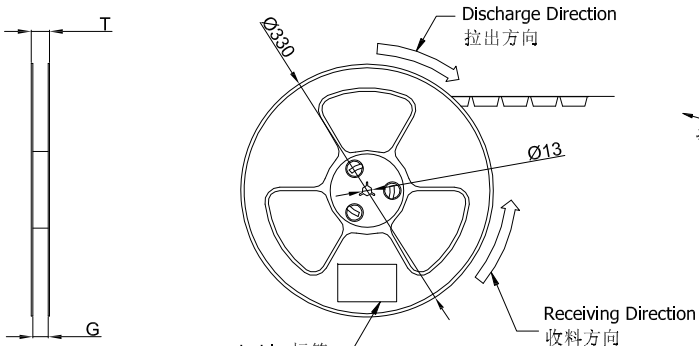
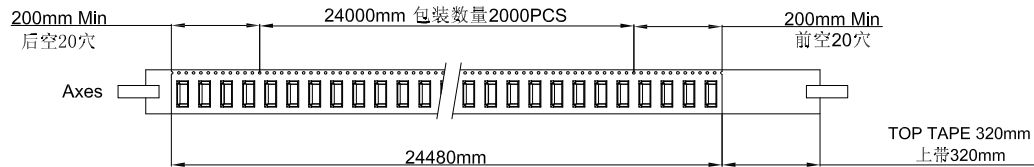
PARTNO.
1011T-PXX

TITLE
1.00mm Terminal Packing

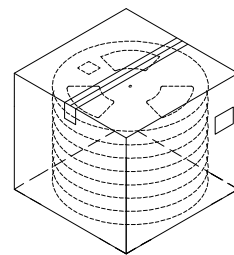
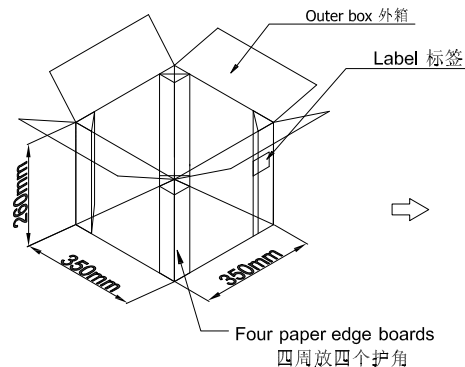
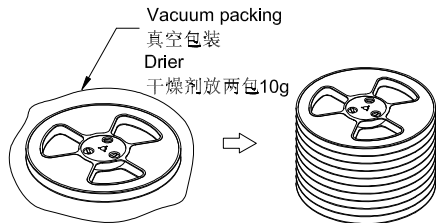
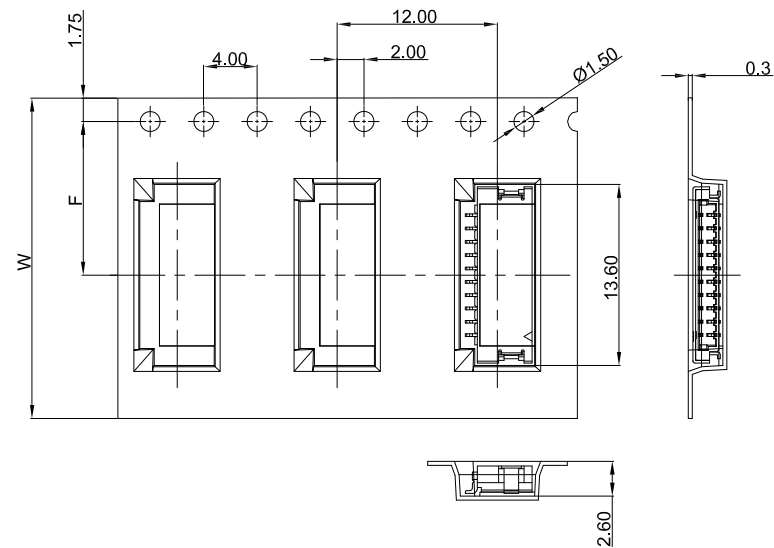
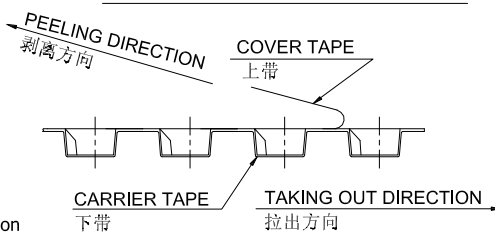
UNIT	SCALE	SHEET	REV	NUMBER
mm	1:1	1/1	A0	A-014

RoHS

包装图



COVER TAPE PEEL STRENGTH:20~120g
 剥离力量20~120g
 速度 PEEL SPEED:300mm/minute



- Note:
1. Carrier Camber Is Within 1mm In 100mm; 带长100mm 内容许弯曲度1mm
 2. 10 Sprocket Hole Pitch Cumulative Tolerance±0.2MM; 圆孔十个孔距离累计允许公差为±0.2mm
 3. Material for PS; 材质为PS材质: 透明
 4. Thinkess=0.30±0.05; 材料厚度为0.30±0.05mm
 5. Carton material 纸箱材质: K=K; Carton Thickness 纸箱厚度: 6~7mm

1011WRS-10BHF-9TSW	Pin No.	W	S	F	T	G	REEL /PCS	CARTON /R	CARTON /PCS
	ZD1011WRS-10BHF	24	—	11.5	27.5	25.5	2000	8R	16000

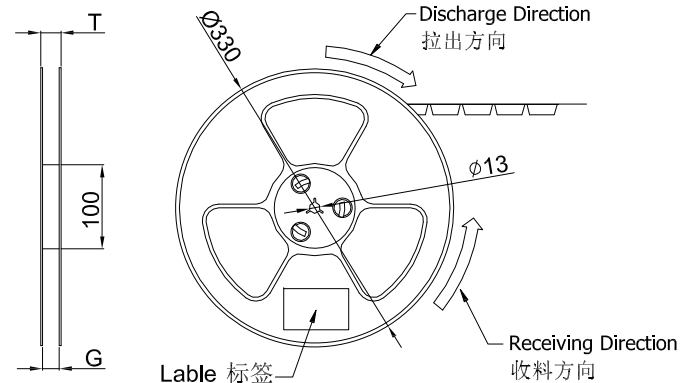
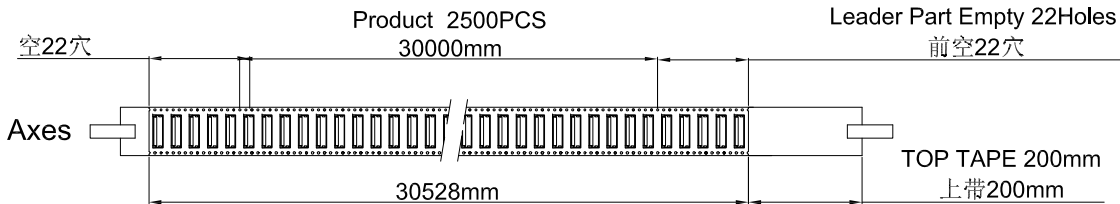
DATE	REV	ECN NO	DESCRIPTION	MODIFY	APPROVAL

GENERAL TOLERANCE	
.X	±0.30
.XX	±0.20
.XXX	±0.10
X.°	±0.2°
视图	

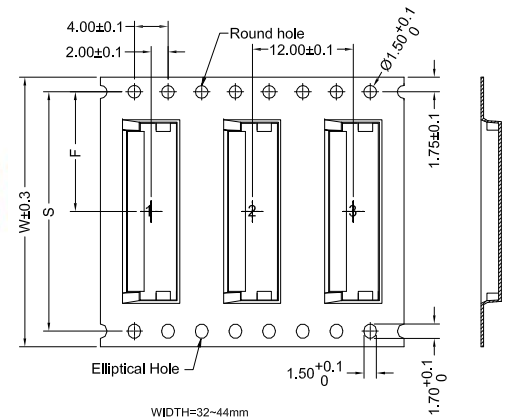
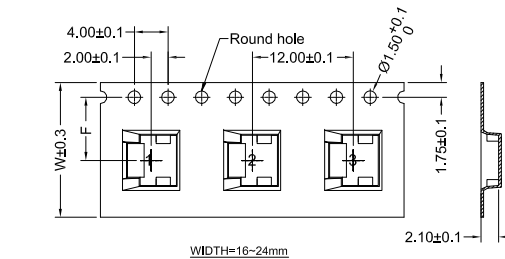
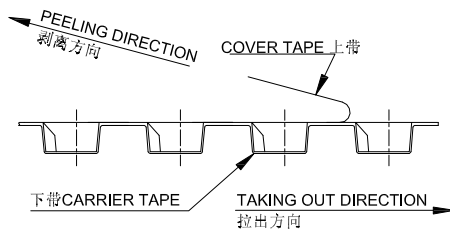
GYA 东莞市国亚电子有限公司
 Dong Guan Guo Ya Connectors co., Ltd.

APPROVAL: Yangzhengguo
 CHECK: Yangzhengyi
 DRAWN: Lvtiansheng
 DATE: 2016/08/26

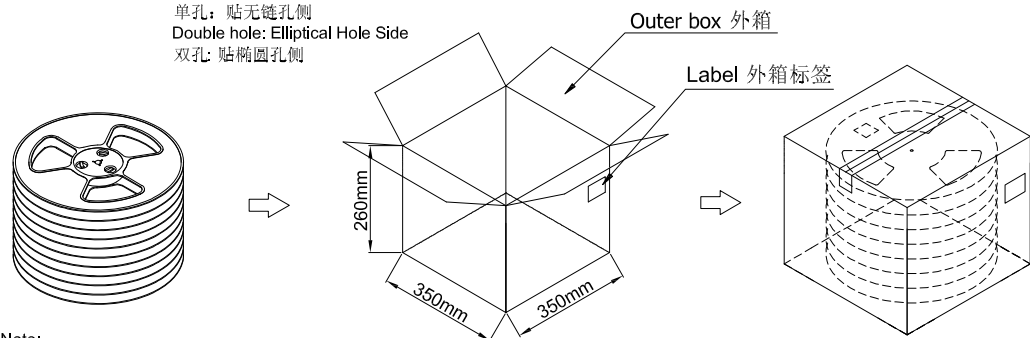
PART NO. PPN: ZD1011WRS-XXBHF CTN: 1011WRS-XXBHF-9TSW				
TITLE 1.00mm Crimp Style Connectors Packing				
UNIT	SCALE	SHEET	REV	NUMBER
mm	1:1	1/1	A0	A-205



COVER TAPE PEEL STRENGTH:20~120g
上带剥离力量:20~120g
速度 PEEL SPEED:300mm/minute



Lable 标签
Single hole: None Hole Side
单孔: 贴无键孔侧
Double hole: Elliptical Hole Side
双孔: 贴椭圆孔侧



Part No.	W	S	F	T (MAX)	G(MAX)	Cover Tape(宽度) 上带(W)	Carrier Tape(Color) 下带(颜色)	REEL /PCS	CARTON /R	CARTON /PCS
ZD1011WRS-02HF	16	/	7.50	20.50	16.40	13.3		2500	11R	27.5K
ZD1011WRS-03HF										
ZD1011WRS-04HF										
ZD1011WRS-05HF										
ZD1011WRS-06HF										
ZD1011WRS-07HF	24	/	11.50	28.50	24.40	21.3	透明色	2500	8R	20K
ZD1011WRS-08HF										
ZD1011WRS-09HF										
ZD1011WRS-10HF										
ZD1011WRS-11HF										
ZD1011WRS-12HF										
ZD1011WRS-13HF										
ZD1011WRS-14HF										
ZD1011WRS-15HF										
ZD1011WRS-16HF										
ZD1011WRS-17HF	32	28.40	14.20	36.50	32.40	25.5		2500	6R	15K
ZD1011WRS-18HF										
ZD1011WRS-19HF										
ZD1011WRS-20HF										
ZD1011WRS-XX-XXXX	44	40.40	20.20	48.50	44.40	37.5		2500	5R	12.5K

- Note:
- Carrier Camber Is Within 1mm In 100mm ; 带长100mm 内容许弯曲度1mm
 - 10 Sprocket Hole Pitch Cumulative Tolerance±0.2MM ; 圆孔十个孔距离累计允许公差为±0.2mm
 - Material for PS ; 材质为PS材质 ; Color 颜色: Natural 透明色 ▲
 - bracer 保护带 ; Color 颜色: Natural 透明色 ; 厚度0.40mm 最小
 - Thickness=0.30±0.05 ; 材料厚度为0.30±0.05mm
 - Cover Tape 上带 ; 冷封上带
 - Carton material 纸箱材质 ; K=K ; Carton Thickness 纸箱厚度 : 6~7mm

GENERAL TOLERANCE

.X	±0.30
.XX	±0.20
.XXX	±0.10
X.°	±0.2°



东莞市国亚电子有限公司
Dong Guan Guo Ya Connectors co., Ltd.

PARTNO.
PPN: 1011WRS-XX-XXXX
CTN: ZD1011WRS-XXHF

APPROVAL CHECK DRAWN DATE

Yangzhengguo Yangzhengyi Lvtiansheng 2016/08/26

TITLE
1.00mm Connectors SMT 90° Packing

UNIT	SCALE	SHEET	REV	NUMBER
mm	1:1	1/1	A0	A-106

DATE	REV	ECN NO	DESCRIPTION	MODIFY	APPROVAL
------	-----	--------	-------------	--------	----------