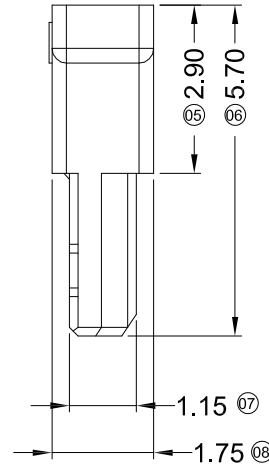
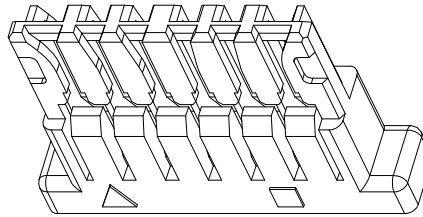
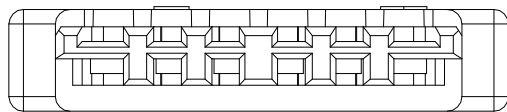
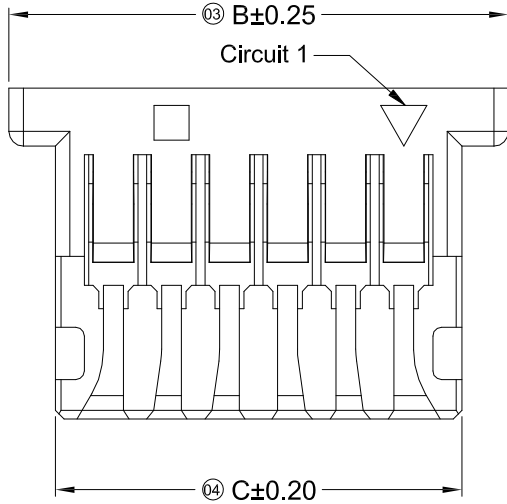
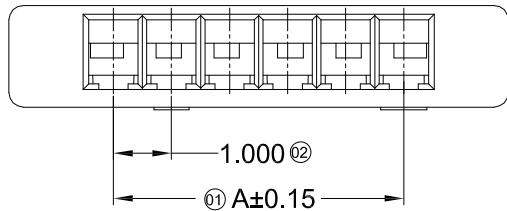


RoHS



■ Specifications :

- Voltage rating: 50V AC / DC
- Current rating: 1A AC / DC
- Withstanding voltage: 500V AC/minute
- Temperature range: -25° ~+85°
- Insulation resistance: ≥100MΩ
- Contact resistance: ≤20mΩ
- After environmental testing: ≤40mΩ

- Suitable GYA Terminal: 1011T
- Suitable GYA Wafer: 1011W-XX

1011 H X-XX X-N0 XX HF

① ② ③ ④ ⑤ ⑥ ⑦ ⑧

- ① Series No.
- ② Category: H-HSG
- ③ Connector type: Blank-ordinary
- ④ Row No.-Pin No per row: XX-02P~30P
- ⑤ Special No.
- ⑥ Material: N0-PA66 94V-0
- ⑦ Color: Blank-Natural color
- ⑧ HF-Halogen free

Poles	Dimensions(mm)			Poles	Dimensions(mm)		
	A	B	C		A	B	C
02	1.00	4.60	3.00	12	11.00	14.60	13.00
03	2.00	5.60	4.00	13	12.00	15.60	14.00
04	3.00	6.60	5.00	14	13.00	16.60	15.00
05	4.00	7.60	6.00	15	14.00	17.60	16.00
06	5.00	8.60	7.00	16	15.00	18.60	17.00
07	6.00	9.60	8.00	20	19.00	22.60	21.00
08	7.00	10.60	9.00	22	21.00	24.60	23.00
09	8.00	11.60	10.00	26	25.00	28.60	27.00
10	9.00	12.60	11.00	30	29.00	32.60	31.00
11	10.00	13.60	12.00				

DATE	REV	ECN NO	DESCRIPTION	MODIFY	APPROVAL

GENERAL TOLERANCE
.X ±0.30
.XX ±0.20
.XXX ±0.10
X.° ±2°
PROJECT

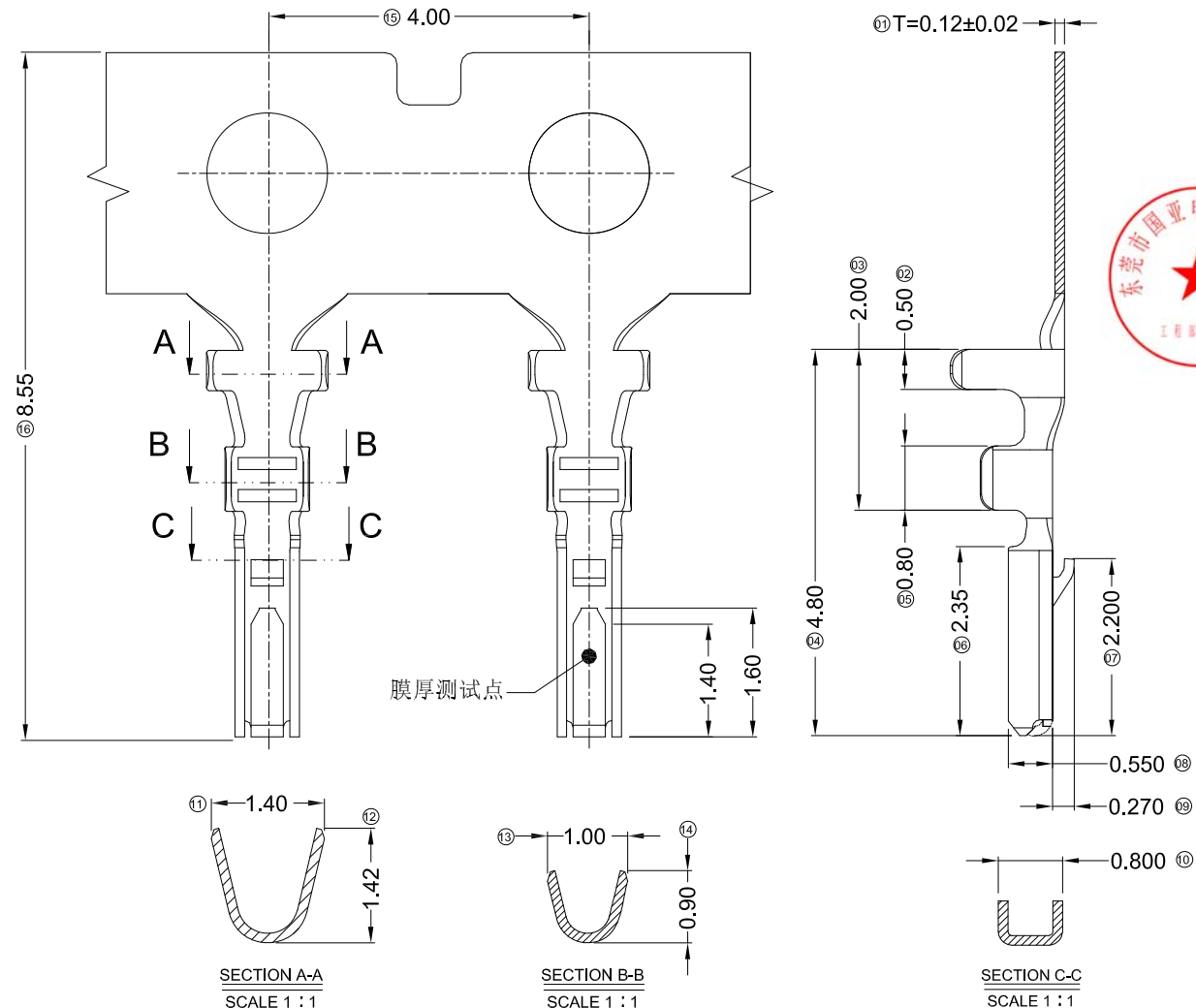


东莞市国亚电子有限公司
Dong Guan Guo Ya Connectors co., ltd.

APPROVAL	CHECK	DRAWN	DATE
Yangzhengguo	Yangzhengyi	Lvtiansheng	2016/08/26

PART NO. 1011H-XX-N0XX				
TITLE 1.00mm Crimp Style Connectors				
UNIT	SCALE	SHEET	REV	NUMBER
mm	1:1	1/1	A0	A-009

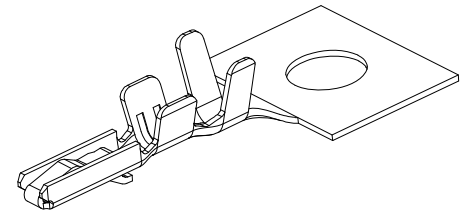
RoHS



- Specifications :**
- Voltage rating: 50V AC / DC
 - Current rating: 1A AC / DC
 - Withstanding voltage: 500V AC/minute
 - Temperature range: -25° ~+85°
 - Insulation resistance: ≥100MΩ
 - Contact resistance: ≤30mΩ
 - After environmental testing: ≤50mΩ

1011 T X-P XX X-X

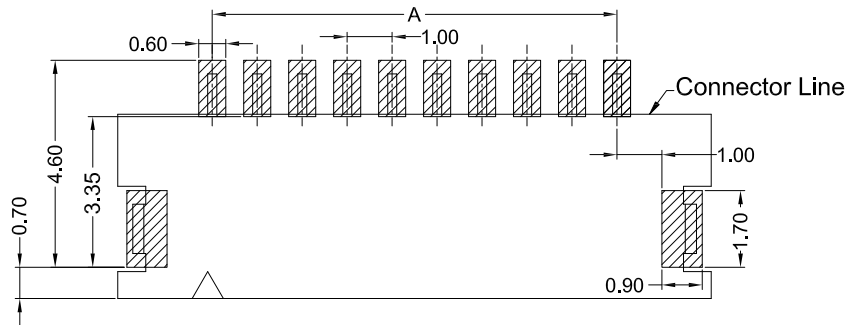
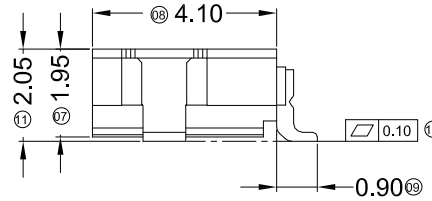
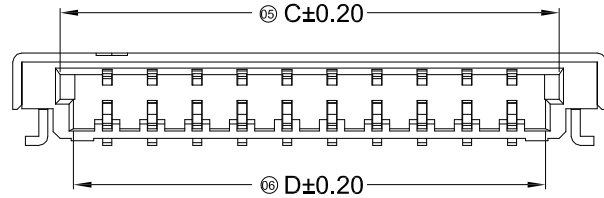
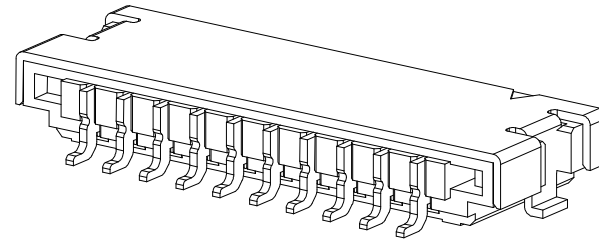
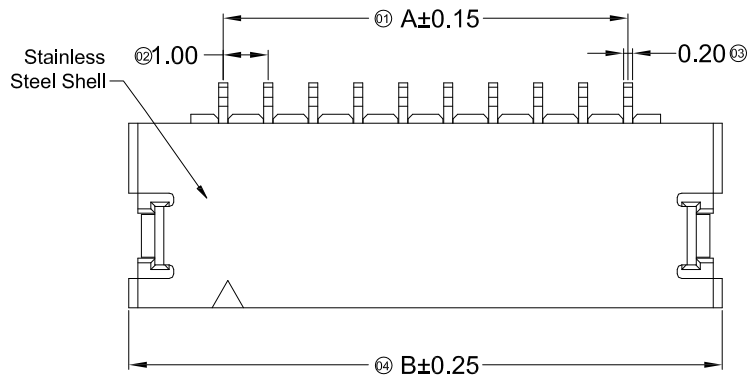
- ① Series Number
 ② Category: T-terminal
 ③ Shape: Blank-ordinary
 ④ Material: P-Phosphor bronze
 ⑤ Plating Code:
 V01-All Gold Flash ; SN-Bright tin plating
 ⑥ Plating method: Blank-Stamping before plating
 ⑦ Mold No./Mark/Special No.



1011T-PV01	Phosphor Bronze	AWG#28-32	0.80mm(Max)	Stamping Before Plating:30u" Ni/Whole Gold :Gold Flash	1011H
1011T-PSN	Phosphor Bronze	AWG#28-32	0.80mm(Max)	Stamping Before Plating:30u" Ni;70u"Sn	
PART NO	Material	Wire Range	Insulation O.D.	Finish	Used In GYA Housing

					GENERAL TOLERANCE .X ±0.30 .XX ±0.20 .XXX ±0.10 X.° ±2° PROJECT 				GYA 东莞市国亚电子有限公司 Connectors Dong Guan Guo Ya Connectors co., ltd.				PART NO. 1011T-PXX TITLE 1.00mm Crimp Style Conntctors			
DATE	REV	ECN NO	DESCRIPTION	MODIFY	APPROVAL	APPROVAL	CHECK	DRAWN	DATE	UNIT	SCALE	SHEET	REV	NUMBER		
1						Yangzhengguo	Yangzhengyi	Lvtiansheng	2016/08/26	mm	1:1	1/1	A0	A-009		

RoHS



Recommended P.C.B Layout
General Tolerance±0.05

Specifications :

- Voltage rating: 50V AC / DC
- Current rating: 1A AC / DC
- Withstanding voltage: 500V AC/minute
- Temperature range: -25° ~+85°
- Insulation resistance:≥100MΩ
- Contact resistance: ≤20mΩ
- After environmental testing: ≤40mΩ

- Material(Pin): Phosphor Bronze
- Mates With GYA Housing : 1011H

1011 W R S-XX BHF-XX XX XX
① ② ③ ④ ⑤ ⑥ ⑦ ⑧ ⑨

- ① Series No.
- ② Category: W-wafer
- ③ Connector type: R-Right Angle 90°
- ④ Mounting type: S-SMT
- ⑤ Row No.-Pin No per row: XX-02P~30P ;
- ⑥ Special No: B- B TYPE (With Stainless Steel Shell)
HF-Halogen Free
- ⑦ Material: 9T-PA9T 94V-0 ;
- ⑧ Plating Code:
V01:All Gold Flash ; SW-Matte Tin plating
- ⑨ Color: Blank-natural color

Poles	Dimensions(mm)				Poles	Dimensions(mm)			
	A	B	C	D		A	B	C	D
02	1.00	5.20	3.10	2.50	17	16.00	20.20	18.10	17.50
03	2.00	6.20	4.10	3.50	18	17.00	21.20	19.10	18.50
04	3.00	7.20	5.10	4.50	19	18.00	22.20	20.10	19.50
05	4.00	8.20	6.10	5.50	20	19.00	23.20	21.10	20.50
06	5.00	9.20	7.10	6.50	21	20.00	24.20	22.10	21.50
07	6.00	10.20	8.10	7.50	22	21.00	25.20	23.10	22.50
08	7.00	11.20	9.10	8.50	23	22.00	26.20	24.10	23.50
09	8.00	12.20	10.10	9.50	24	23.00	27.20	25.10	24.50
10	9.00	13.20	11.10	10.50	25	24.00	28.20	26.10	25.50
11	10.00	14.20	12.10	11.50	26	25.00	29.20	27.10	26.50
12	11.00	15.20	13.10	12.50	27	26.00	30.20	28.10	27.50
13	12.00	16.20	14.10	13.50	28	27.00	31.20	29.10	28.50
14	13.00	17.20	15.10	14.50	29	28.00	33.20	30.10	29.50
15	14.00	18.20	16.10	15.50	30	29.00	34.20	31.10	30.50
16	15.00	19.20	17.10	16.50					



DATE	REV	ECN NO	DESCRIPTION	MODIFY	APPROVAL

GENERAL TOLERANCE	
.X	±0.30
.XX	±0.20
.XXX	±0.10
X.°	±2度
PROJECT	
①	②
Yangzhengguo	Yangzhengyi

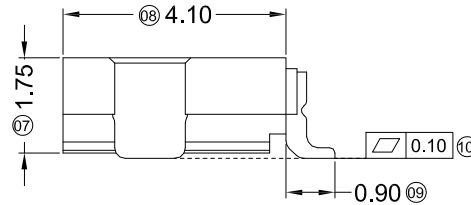
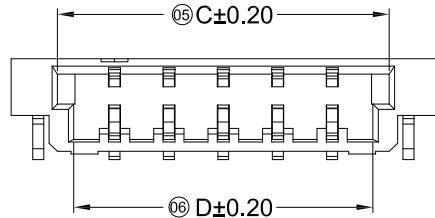
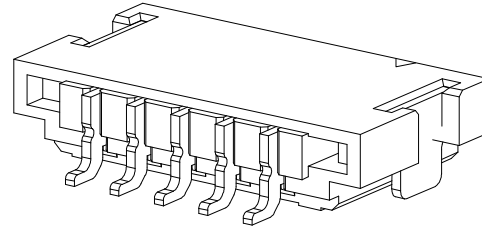
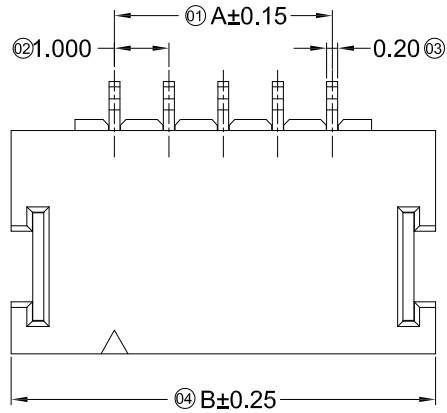


东莞市国亚电子有限公司
Dong Guan Guo Ya Connectors co., ltd.

APPROVAL	CHECK	DRAWN	DATE
Yangzhengguo	Yangzhengyi	Lvtiansheng	2016/08/26

PART NO. 1011WRS-XXBHF-9TXX				
TITLE 1.00mm Crimp Style Connectors				
UNIT	SCALE	SHEET	REV	NUMBER
mm	1:1	1/1	A0	A-000

RoHS



Specifications :

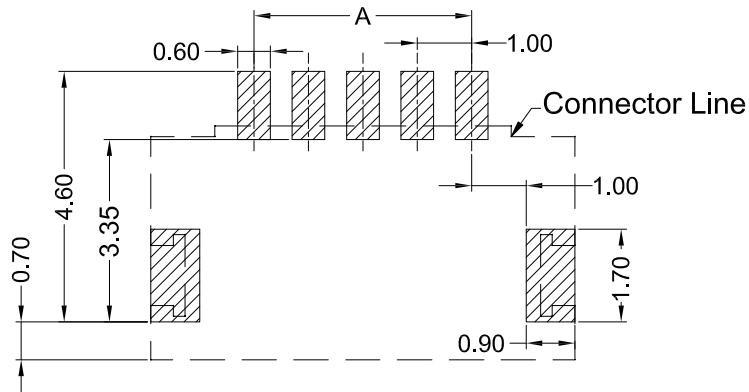
- Voltage rating: 50V AC / DC
- Current rating: 1A AC / DC
- Withstanding voltage: 500V AC/minute
- Temperature range: -25° ~+85°
- Insulation resistance: ≥100MΩ
- Contact resistance: ≤20mΩ
- After environmental testing : ≤40mΩ

- Material(Pin) : Phosphor Bronze
- Material(Solder Tabs) : Phosphor Bronze
- Mates With GYA Housing : 1011H

1011 W R S-XX-9T XX XX

① ② ③ ④ ⑤ ⑥ ⑦ ⑧

- ① Series No.
- ② Category : W-wafer
- ③ Connector Type: R-Right Angle 90°
- ④ Mounting Type: S-SMT
- ⑤ Row No.-Pin No per row: XX-02P~30P
- ⑥ Material : 9T-PA9T 94V-0 ;
- ⑦ Plating Code:
V01: Gold Flash ; SW-Matte Tin plating
- ⑧ Color : Blank-natural color



Recommended P.C.B Layout
General Tolerance±0.05



Poles	Dimensions(mm)				Poles	Dimensions(mm)			
	A	B	C	D		A	B	C	D
02	1.00	4.80	3.10	2.50	17	16.00	19.80	18.10	17.50
03	2.00	5.80	4.10	3.50	18	17.00	20.80	19.10	18.50
04	3.00	6.80	5.10	4.50	19	18.00	21.80	20.10	19.50
05	4.00	7.80	6.10	5.50	20	19.00	22.80	21.10	20.50
06	5.00	8.80	7.10	6.50	21	20.00	23.80	22.10	21.50
07	6.00	9.80	8.10	7.50	22	21.00	24.80	23.10	22.50
08	7.00	10.80	9.10	8.50	23	22.00	25.80	24.10	23.50
09	8.00	11.80	10.10	9.50	24	23.00	26.80	25.10	24.50
10	9.00	12.80	11.10	10.50	25	24.00	27.80	26.10	25.50
11	10.00	13.80	12.10	11.50	26	25.00	28.80	27.10	26.50
12	11.00	14.80	13.10	12.50	27	26.00	29.80	28.10	27.50
13	12.00	15.80	14.10	13.50	28	27.00	30.80	29.10	28.50
14	13.00	16.80	15.10	14.50	29	28.00	31.80	30.10	29.50
15	14.00	17.80	16.10	15.50	30	29.00	32.80	31.10	30.50
16	15.00	18.80	17.10	16.50					

					<p>GENERAL TOLERANCE</p> <p>.X ±0.30</p> <p>.XX ±0.20</p> <p>.XXX ±0.10</p> <p>X.° ±2°</p> <p>PROJECT</p>				<p>GYA 东莞市国亚电子有限公司</p> <p>Connectors Dong Guan Guo Ya Connectors co., ltd.</p>				<p>PART NO. 1011WRS-XX-9TXX</p>			
					<p>APPROVAL</p> <p>Yangzhengguo</p>				<p>CHECK</p> <p>Yangzhengyi</p>							
					<p>DRAWN</p> <p>Lvtiansheng</p>				<p>DATE</p> <p>2016/08/26</p>							
					<p>TITLE 1.00mm Crimp Style Connectors</p>											
DATE		REV	ECN NO		DESCRIPTION			MODIFY		APPROVAL		UNIT	SCALE	SHEET	REV	NUMBER
1			2		3			4		5		mm	1:1	1/1	A0	A-000