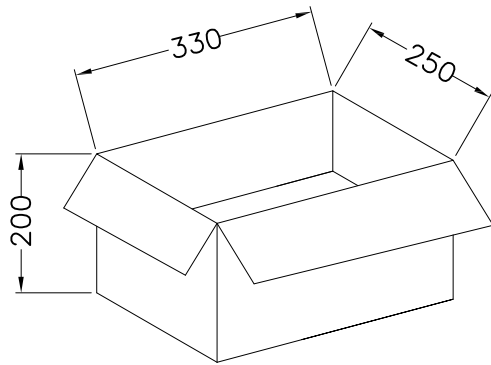
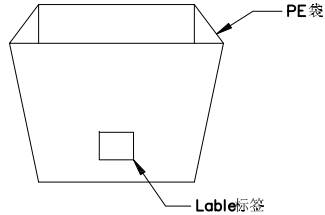
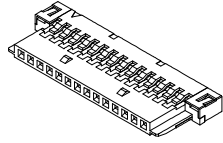
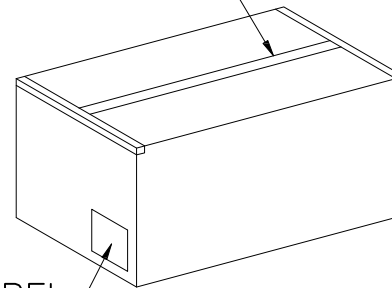


RoHS

包装图



胶带ADHESIVE TAPE



Note 注解:

- Put Housing in a PE bag, PE bag gauge for: 130 \* 135 \* 0.10 mm, Packing detail see the table below  
将 Housing 放入PE袋内, PE袋规为: 130\*135\*0.10mm, 详细包装见下表
- Put PE bag packed products in specifications of 330 \* 250 \* 300 mm cartons, Packing detail see the table below  
将装好产品的PE袋放入规格为330\*250\*200mm 的纸箱内, 详细包装见下表
- Label depends on customer request, carton opening joint with transparent tape  
标签依客户要求而定, 纸箱开口处用透明胶带贴合.

Poles	Bag PCS	CARTON Bag	CARTON PCS
08	1000	75	75K
20	1000	75	75K
30	1000	75	75K



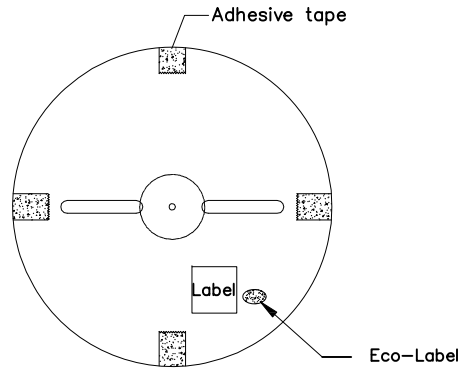
DATE	REV	ECN NO	DESCRIPTION	MODIFY	APPROVAL	GENERAL TOLERANCE	PARTNO. 1008H-XX-XX				
						.X ±0.30	TITLE 1.00mm Housing Package				
						.XX ±0.20	UNIT SCALE SHEET REV NUMBER				
						.XXX ±0.10	mm	1:1	1/1	A0	XXXX
						X° ±0.2°	APPROVAL	CHECK	DRAWN	DATE	
						视角	Yangzhengguo	Yangzhengyi	Lvtiansheng	2016/08/26	



东莞市国亚电子有限公司  
Dong Guan Guo Ya Connectors co., Ltd.

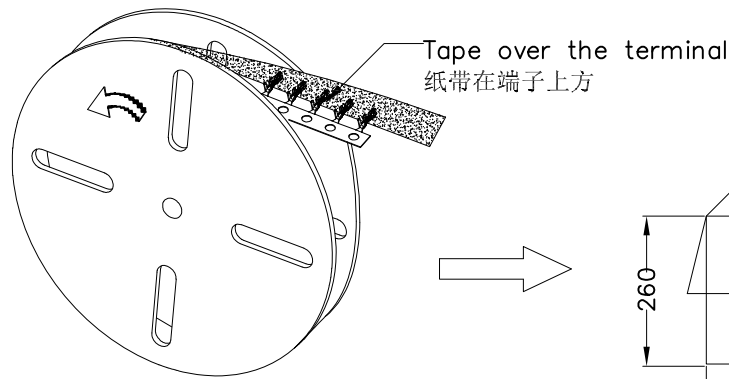
RoHS

包装图

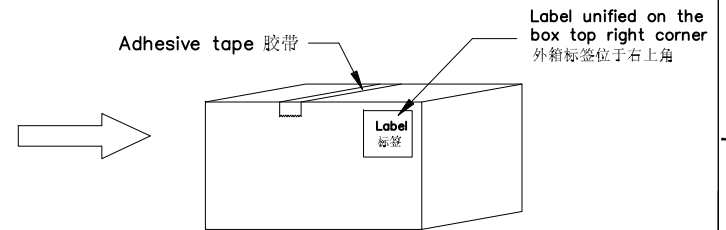
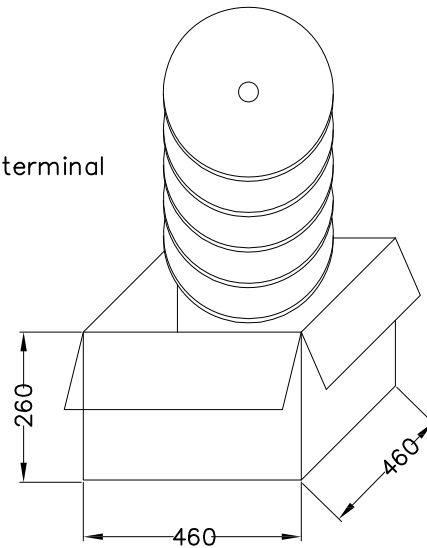


Note 注解:

- Quantity 数量:  
20KPCS/REEL 一卷20K/PCS  
14REEL/BOX 一箱14卷  
280KPCS/BOX 一箱280K/PCS
- Each reel and outer box must be labeled and Eco-Label Respectively labeled  
每盘和外箱都必须有标签及环保标签分别标示
- Terminal winding direction as shown  
端子缠绕方向如左图所示
- There shall be no dirt such as deformation phenomenon, Mantissa box fillers must be used  
每箱不可有脏污, 变形现象, 尾数箱必须用填充物



卷装方式  
Package way



DATE	REV	ECN NO	DESCRIPTION	MODIFY	APPROVAL
1					
2					
3					
4					

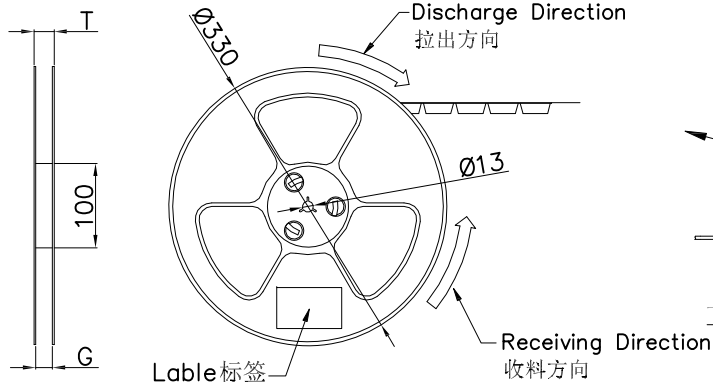
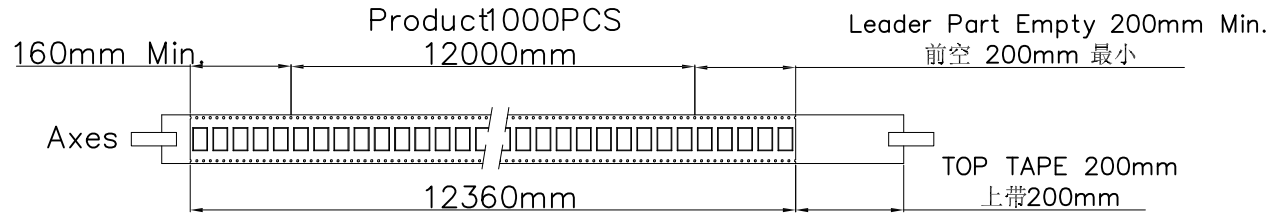
GENERAL TOLERANCE	
.X	±0.30
.XX	±0.20
.XXX	±0.10
X.	±0.2°



东莞市国亚电子有限公司  
Dong Guan Guo Ya Connectors co., ltd.

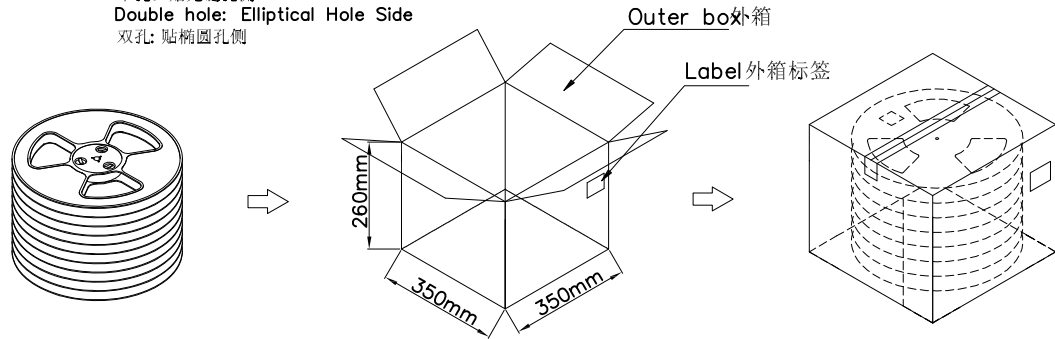
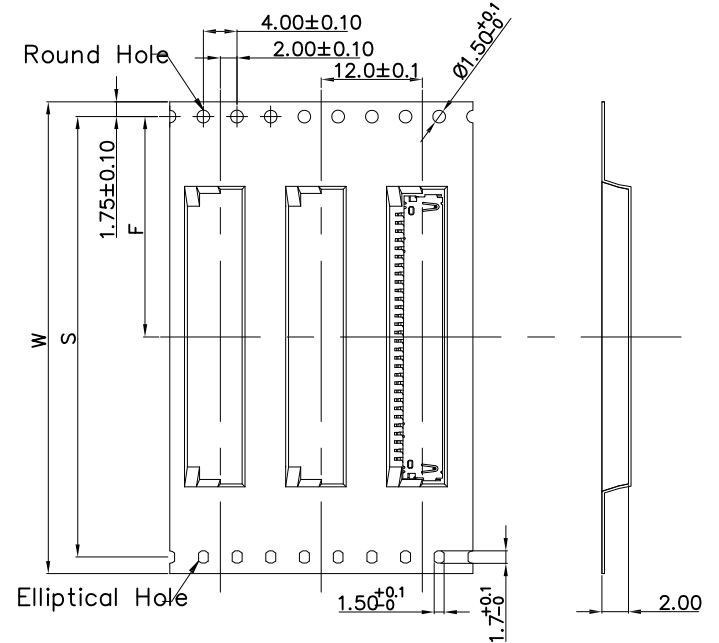
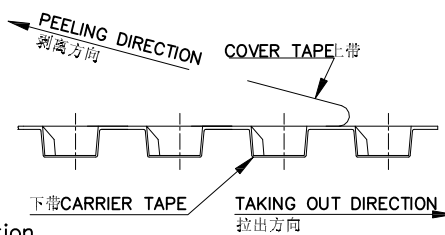
APPROVAL	CHECK	DRAWN	DATE
Yangzhengguo	Yangzhengyi	Lvtiansheng	2016/08/26

PARTNO. 1008T-PXX				
TITLE				
1.00mm Terminal Packing				
UNIT	SCALE	SHEET	REV	NUMBER
mm	1:1	1/1	A0	XXXX



Single hole: None Hole Side  
 单孔: 贴无链孔侧  
 Double hole: Elliptical Hole Side  
 双孔: 贴椭圆孔侧

COVER TAPE PEEL STRENGTH: 20~120g  
 上带剥离力量: 20~120g  
 速度 PEEL SPEED: 300mm/minute



Note:

- Carrier Camber Is Within 1mm In 100mm ; 带长100mm 内容许弯曲度1mm
- 10 Sprocket Hole Pitch Cumulative Tolerance±0.2MM ; 圆孔十个孔距离累计允许公差为±0.2mm
- Carrier tape material for PS ; 下带材质为PS材质; Color 颜色: Black 黑色
- bracer 保护带: Color 颜色: Natural 透明色, 厚度0.40mm 最小
- Thickness=0.35±0.05 ; 材料厚度为0.35±0.05mm
- Carton material 纸箱材质: K=K; Carton Thickness 纸箱厚度: 6±1mm

ZD1008WRS-30HF 1008WRS-30-XXXX	Part No.	W	S	F	T (MAX)	G(MAX)	REEL /PCS	CARTON /R	CARTON /PCS
	ZD1008WRS-30HF	56	52.4	26.2	61.4	56.40	1000	3R	3K

GENERAL TOLERANCE

.X	±0.30
.XX	±0.20
.XXX	±0.10
X.	±0.2°



东莞市国亚电子有限公司  
 Dong Guan Guo Ya Connectors co., ltd.

PARTNO. PPN: 1008WRS-30-XXXX  
 CTN: ZD1008WRS-30HF

APPROVAL CHECK DRAWN DATE

Yangzhengguo Yangzhengyi Lviansheng 2016/08/26

TITLE  
 1.00mm Connectors SMT 90° Package

UNIT	SCALE	SHEET	REV	NUMBER
mm	1:1	1/1	A0	XXXX

DATE	REV	ECN NO	DESCRIPTION	MODIFY	APPROVAL