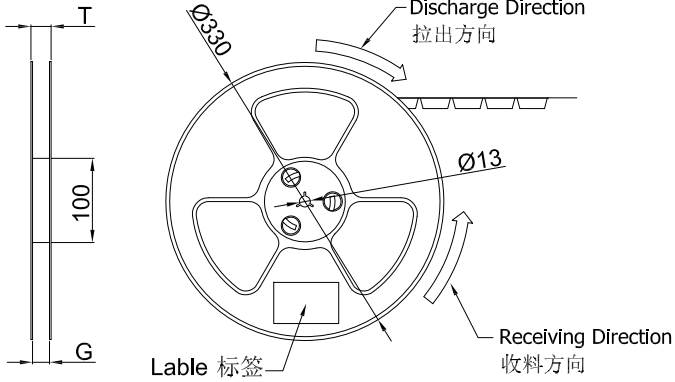
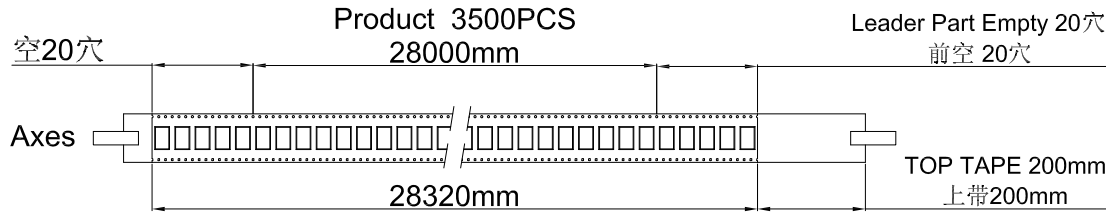
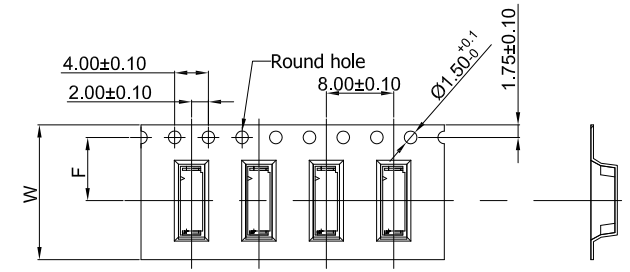
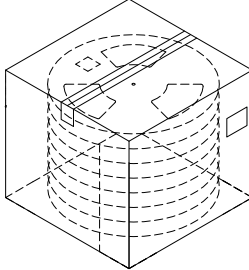
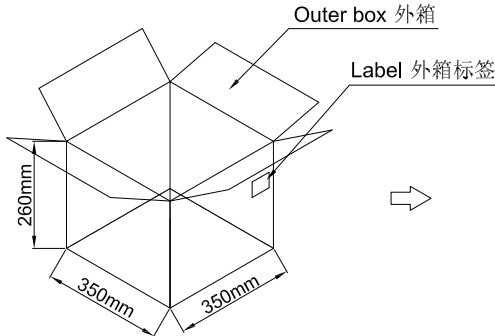
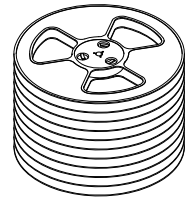
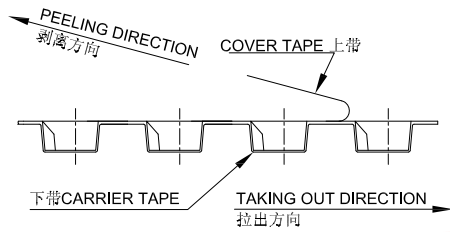


RoHS

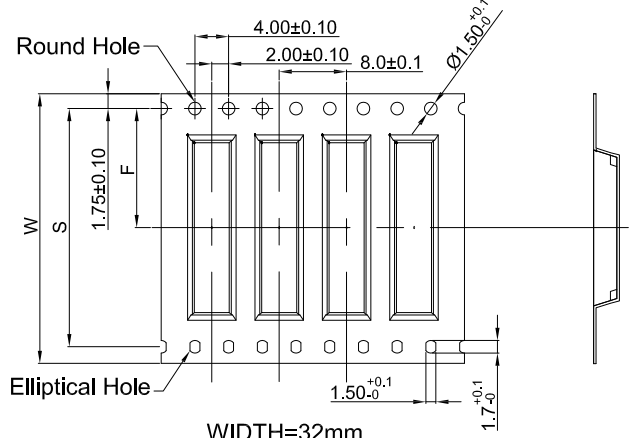


Single hole: None Hole Side  
单孔: 贴无链孔侧  
Double hole: Elliptical Hole Side  
双孔: 贴椭圆孔侧

COVER TAPE PEEL STRENGTH:20~120g  
上带剥离力量:20~120g  
速度 PEEL SPEED:300mm/minute



WIDTH=12~24mm



WIDTH=32mm

Part No.	WS	F	T (MAX)	G (MAX)	REEL /PCS	CARTON /R	CARTON /PCS
ZD0800WRS-02	12	/	5.50	16.50	12.40	3500	45.5K
ZD0800WRS-03							
ZD0800WRS-04							
ZD0800WRS-05							
ZD0800WRS-06	16	/	7.50	20.50	16.40	3500	38.5K
ZD0800WRS-07							
ZD0800WRS-08							
ZD0800WRS-09							
ZD0800WRS-10							
ZD0800WRS-11							
ZD0800WRS-12	24	/	11.50	28.50	24.40	3500	28K
ZD0800WRS-13							
ZD0800WRS-14							
ZD0800WRS-15							
ZD0800WRS-16							
ZD0800WRS-17	32	28.4	14.20	36.50	32.40	3500	21K
ZD0800WRS-18							
ZD0800WRS-19							
ZD0800WRS-20							

- Note:**
- Carrier Camber Is Within 1mm In 100mm; 带长100mm内容许弯曲度1mm
  - 10 Sprocket Hole Pitch Cumulative Tolerance±0.2MM; 圆孔十个孔距累计允许公差为±0.2mm
  - Carrier tape material for PS; 下带材质为PS材质; Color颜色:Natural透明色
  - bracer保护带; Color颜色:Natural透明色, 厚度0.40mm最小
  - Thickness=0.30±0.05; 材料厚度为0.30±0.05mm
  - Carton material纸箱材质:K=K; Carton Thickness 纸箱厚度: 6±1mm

DATE	OLD REV	NEW REV	ECN	DESCRIPTION	CHECK	APPROVAL	PROJECT	APPROVAL	CHECK	DRAWN	DATA	UNIT	SCALE	NUMBER	REV
							Yangzhengguo	Yangzhengyi	Lvtiansheng	2016/08/26	mm	1 : 1	A-106	A0	

GENERAL TOLERANCE  
.X ±0.30  
.XX ±0.20  
.XXX ±0.10

**GYA** 东莞市国亚电子有限公司  
Connectors Dong Guan Guo Ya Connectors co., Ltd.

PART NO. PPN: 0800WRS-XX-XXXX  
CTN: ZD0800WRS-XX

TITLE  
0.80mm Connectors SMT 90° Package